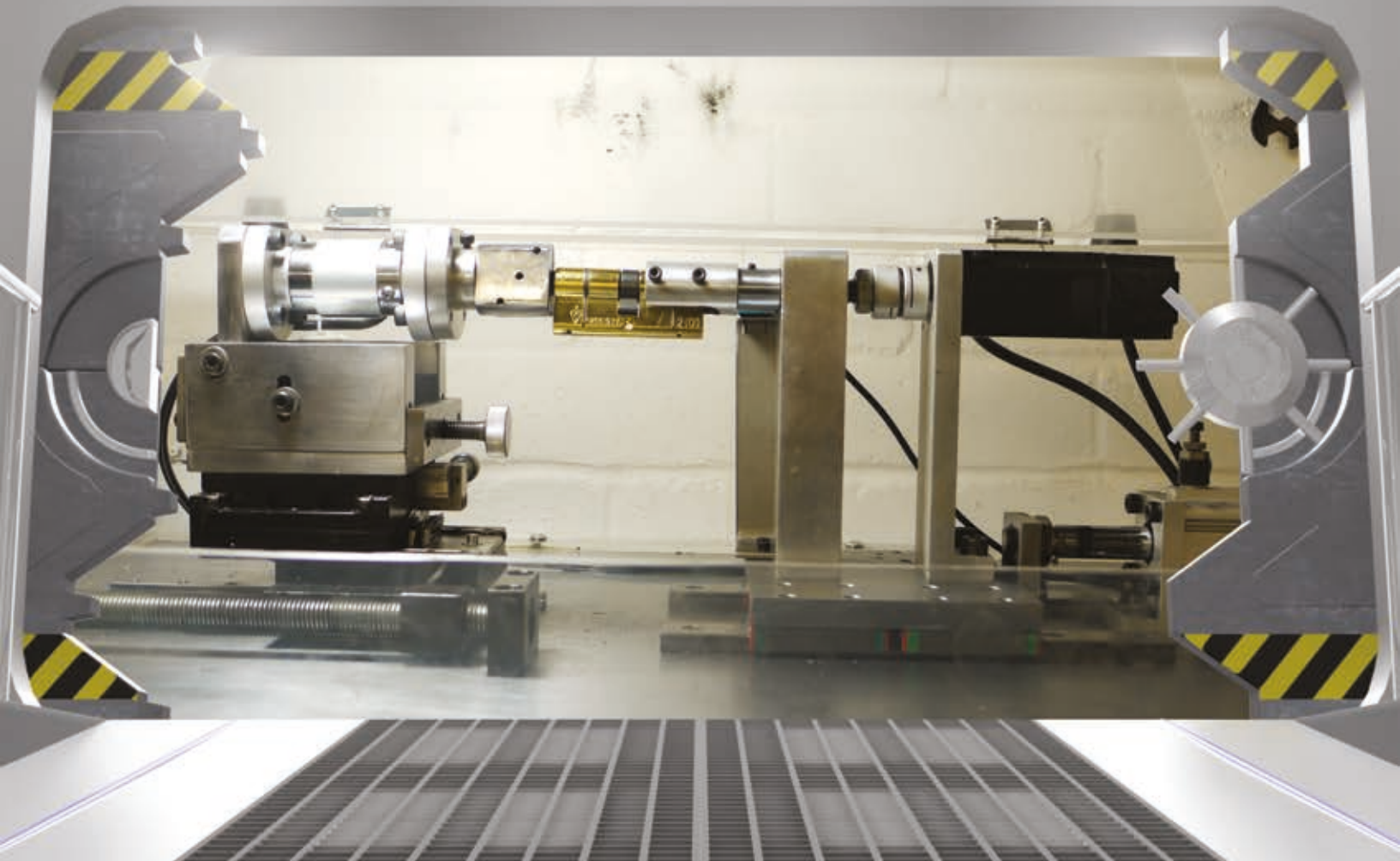


# **UAP** **LIMITED**

**INNOVATIVE DOOR HARDWARE SOLUTIONS**

## **CYLINDERS**

# **TESTING**



## Introduction

Prided on product excellence and innovation; UAP Limited, have an unrivalled reputation for the products we supply and the service we provide.

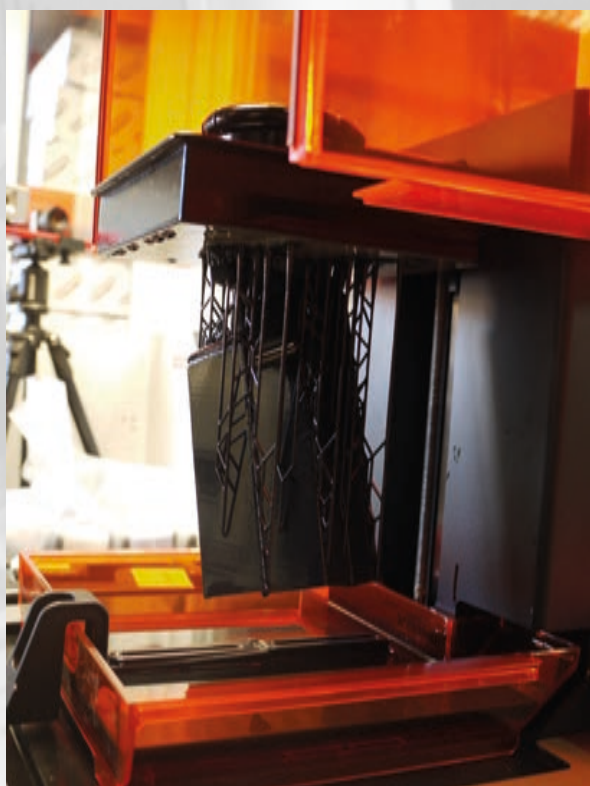
As a company we work with industry leading, highly respected manufacturers, importing the very best goods from around the globe.

We take care of our customers by providing solutions to ANY door hardware requirements. This includes sophisticated door and window security solutions and attractive decorative furnishings; both for commercial and domestic needs.

At UAP we are constantly striving to improve on the products we already supply as well as develop new, pioneering ranges and practical product solutions.

With an in house testing centre and product developer, each stage of the development process is thorough, from the initial design right down to the final product.

In house 3D printing technology allows for further and more precise advancement of our products which are then expertly manufactured and put through stringent testing conditions using in house test equipment – ensuring all products are designed to the highest standards.



## UAP+ Test Data

Clause No.	Description	Compliance
4.2	Key Strength	Yes
4.3	Durability - grade 6	Yes
4.5	Fire resistance	Yes
4.7	Corrosion resistance - grade C	Yes
4.7.1	General	Yes
4.7.2	Operation at extremes of temperature	Yes
4.8	Key related security - grade 6	Yes
4.8.2	Min. number of effective differs - grade 6	Yes
4.8.3	Min. number of movable retainers - grade 6	Yes
4.8.4	Max. number of identical steps - grade 6	Yes
4.8.5	Direct coding on key - grade 6	Yes
4.8.6	Operation of security mechanism	Yes
4.8.7	Torque resistance of plug/cylinder relevant to key related security - grade 6	Yes
4.9	Attack resistance - grade 2	Yes
4.9.1	Resistance to attack by drilling - grade 2	Yes
4.9.2	Resistance to attack by chisel - grade 2	Yes
4.9.3	Resistance to attack by twisting - grade 2	Yes
4.9.4	Resistance to attack by plug/cylinder extraction - grade 2	Yes
4.9.5	Torque resistance of plug/cylinder relevant to attack resistance - grade 2	Yes
7	Marking - classification on	Yes

### KM561977 Kitemark Report Data: Classification:

Category of Use	1
Durability	6
Door Mass	0
Fire Resistance	0
Safety	0
Corrosion Resistance and Temperature	C
Key Related Security	6
Attack Resistance	2*

\* Only resistance to drilling in accordance with BS EN 1303:2005 4.9.1 and torque resistance of plug/cylinder in accordance with BS EN 1303:2005 4.9.5 are required for one and/or three star rated cylinders

### Requirements in BS 3621:2007

Annex A Clause A5	Achieved
Annex A Clause A6	Achieved

Testing in accordance with PAS 24 - Security hardware and/or cylinder test

One star cylinders offers resistance to many types of attack. It is designed to be used in conjunction with 2 star security door hardware to ensure enhanced resistance to all commonly used attack methods. Therefore this product **MUST** be used in conjunction with 2 star security door hardware meeting TS007 to ensure security.

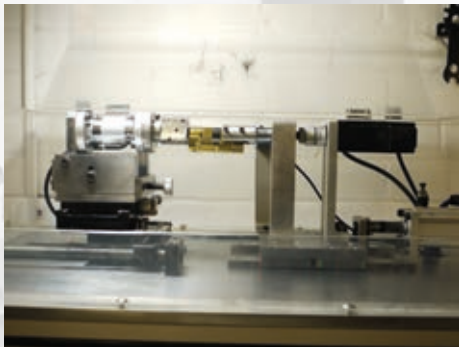


# Testing

## Cylinder Cycle Machine

This sophisticated machine tests the rotational operation of cylinder locks, ensuring a lock will continue to function even after being used in thousands of openings. It replicates the action of a key being inserted into the cylinder and it being turned, just as a product would be operated when fitted into a door.

The product is tested to 100,000 repetitions to ensure it continues to function even after thousands of turns. It allows UAP to perform tests in accordance with BS EN 1303:2015 standards.



## Cylinder Snapping Test

In accordance with PAS24, the test challenges the security features of a cylinder. An attempt is made to gain access through the cylinder by defeating its protective features, and then applying twisting or bending force to snap the cylinder and access its mechanism.

Typically, the handle will first be ripped off, and then mole grips are used to try and make a larger hole around the cylinder. The cylinder is then snapped and attempts are made to turn the cam. A tester has 3 minutes in total to remove all protective hardware and defeat the cylinder, and only certain tools can be used if it cannot be done in this time then the cylinder will pass.

## Salt Spray Test

This machine tests the corrosion resistance of the door locks. The salt spray cabinet produces a corrosive environment, by releasing a dense saline fog into the chamber which the door locks are exposed to. This creates an accelerated corrosion of the door lock and allows us to test how well the lock would stand up in harsher environments.



## All Weather Machine

When placed in the all-weather machine, the door locks are subjected to conditions including high UV exposure using a Xenon Arc Lamp which will accelerate UV degradation and measure how well a door lock can last in extreme conditions.

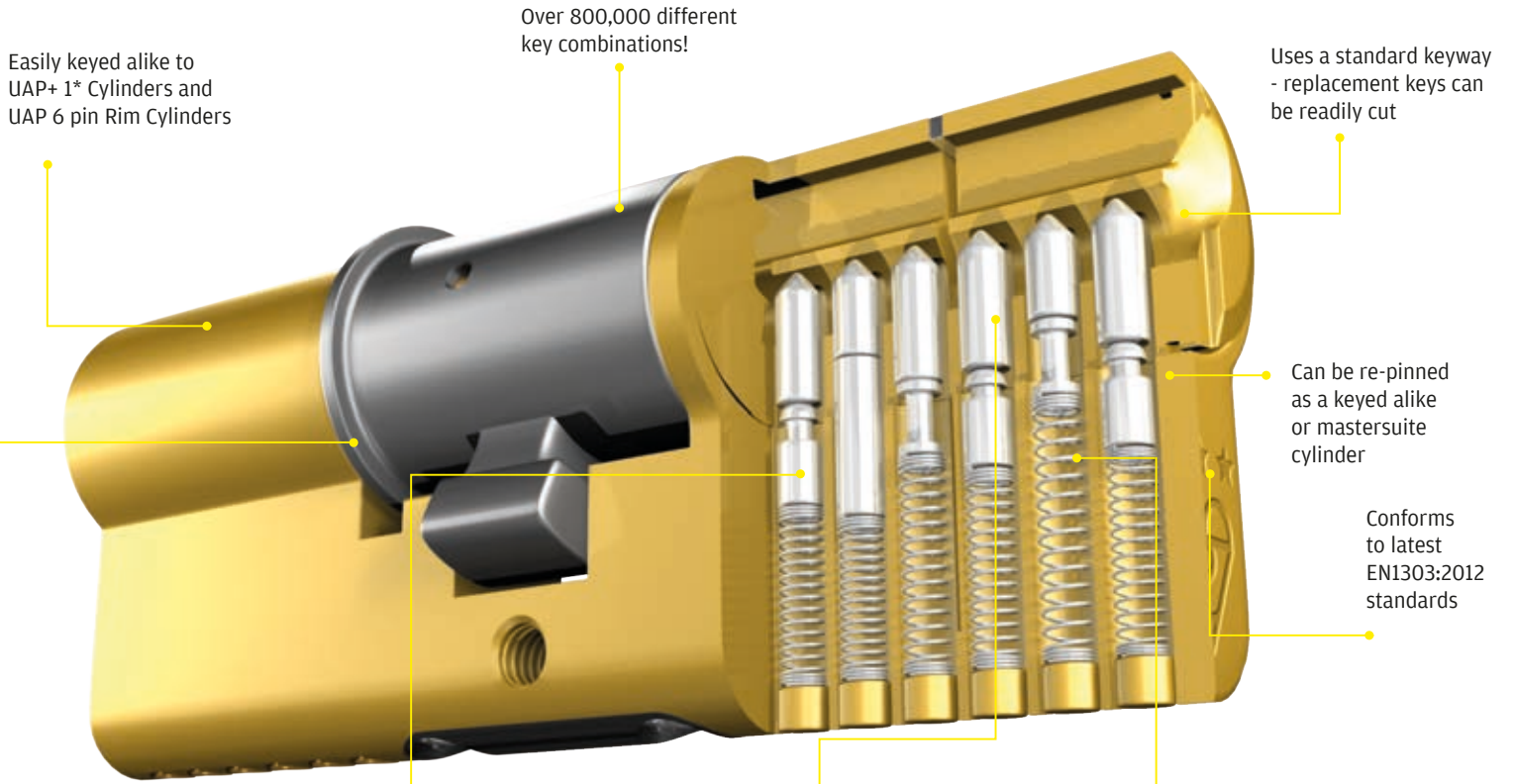
Other conditions such as rain and extreme heat can be generated by the machine to expose the door lock to all kinds of environments. This allows us to continually improve the door locks and make them so they last longer in all kinds of different environments.



# UAP 3\* Kinetica Cylinder Powered by Fullex



UAP and Fullex have joined forces to launch our very own 3\* Kitemarked Cylinder - Kinetica. The 3\* cylinder market has been growing over the last 12 months or so with fabricators understanding the consumer need for greater door security without having to upgrade handles or add extra security devices. UAP and Fullex worked together to try and develop the best value for money 3\* cylinder on the market.



## ANTI SNAP

Patent applied for anti tilt mechanism - In normal anti snap cylinders once a cylinder is snapped at the outside end, the inner section is heavier and will tilt allowing the burglar a small gap to gain access to the bolt. But the Fullex anti tilt ring stops this happening.



## ANTI BUMP

Patented anti-bump timing pin system – This very clever system uses nickel plated hardened steel key pins and driver pins to interrupt the timing of the pins when bumped, and it is highly effective.



## ANTI DRILL

4 x hardened steel anti-drill pins are in each side of the cylinder. Plus all moving pins are nickel plated hardened steel 50 HRC minimum.



## ANTI PICK

Minimum of 3 anti-pick pins in each side of the cylinder makes it extremely difficult for a common burglar to pick the cylinder.







UAP 3\* Kinetica Cylinder Powered by Fullex

**NEW**



## Double Cylinders

Overall Size	Split (X-10-X)	Split (X/X)	Brass Code	Satin Nickel	Polished Chrome
70mm	30-10-30	35/35	KIN30/30BAS	KIN30/30NAS	KIN30/30CAS
80mm	35-10-35	40/40	KIN35/35BAS	KIN35/35NAS	KIN35/35CAS
95mm	40-10-45	45/50	KIN40/45BAS	-	KIN40/45CAS
100mm	40-10-50	45/55	KIN40/50BAS	-	KIN40/50CAS
100mm	45-10-45	50/50	KIN45/45BAS	-	KIN45/45CAS
100mm	50-10-40	55/45	KIN50/40BAS	-	KIN50/40CAS

## Stocked Keyed Alike Cylinders

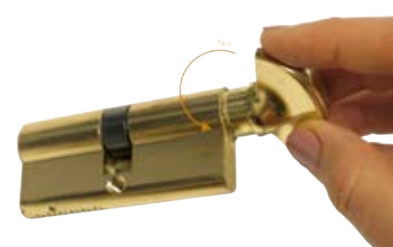
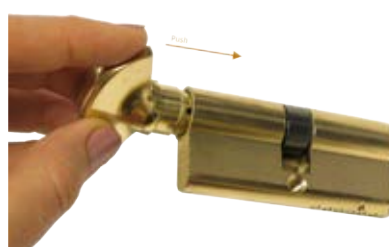
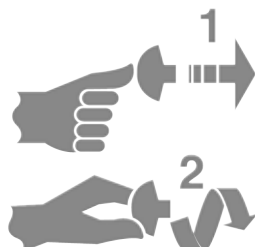
Overall Size	Split (X-10-X)	Split (X/X)	Brass Code	Satin Nickel	Polished Chrome
70mm	30-10-30	35/35	KIN30/30BASKAP	KIN30/30NASKAP	KIN30/30CASKAP
80mm	35-10-35	40/40	KIN35/35BASKAP	KIN35/35NASKAP	KIN35/35CASKAP
95mm	40-10-45	45/50	KIN40/45BASKAP	-	KIN40/45CASKAP
100mm	40-10-50	45/55	KIN40/50BASKAP	-	KIN40/50CASKAP
100mm	45-10-45	50/50	KIN45/45BASKAP	-	KIN45/45CASKAP

## Thumbturn Cylinders

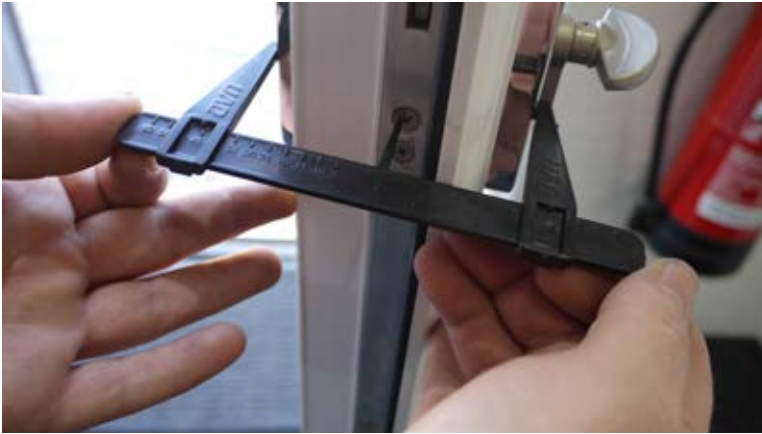
Overall Size	Split (X-10-X)	Split (X/X)	Brass Code	Satin Nickel	Polished Chrome
70mm	30T-10-30	35T/35	KIN30T/30BAS	KIN30T/30NAS	KIN30T/30CAS
100mm	45T-10-45	50T/50	KIN45T/45BAS	-	KIN45T/45CAS

Kinetica thumbturn cylinders incorporate Patented Push-2-Turn technology:

**Push**  
2  
**Turn**



# Cylinder Gauge



For those companies who offer a door to door cylinder upgrade service, we have developed the UAP Cylinder Gauge which means you can measure a cylinder whilst the lock is in the door, quickly and easily.

The Cylinder Gauge is very much like an airfix model.

Product code:  
CYLINDERGAUGE BULK

- 1) Simply remove the piece from the frame to assemble the Gauge
- 2) Attach the two arms to the ruler strip
- 3) Place the centre point of the Gauge into the fixing hole of the door (beneath the latch)
- 4) Slide the arms on either side to the ends of the door handle (DO NOT MEASURE TO THE END OF THE CYLINDER AS IT MIGHT NOT CURRENTLY BE THE RIGHT SIZE)
- 5) Read the Gauge to find the exact size cylinder you need to replace

# UAP+ Zerolift Advance Cylinders

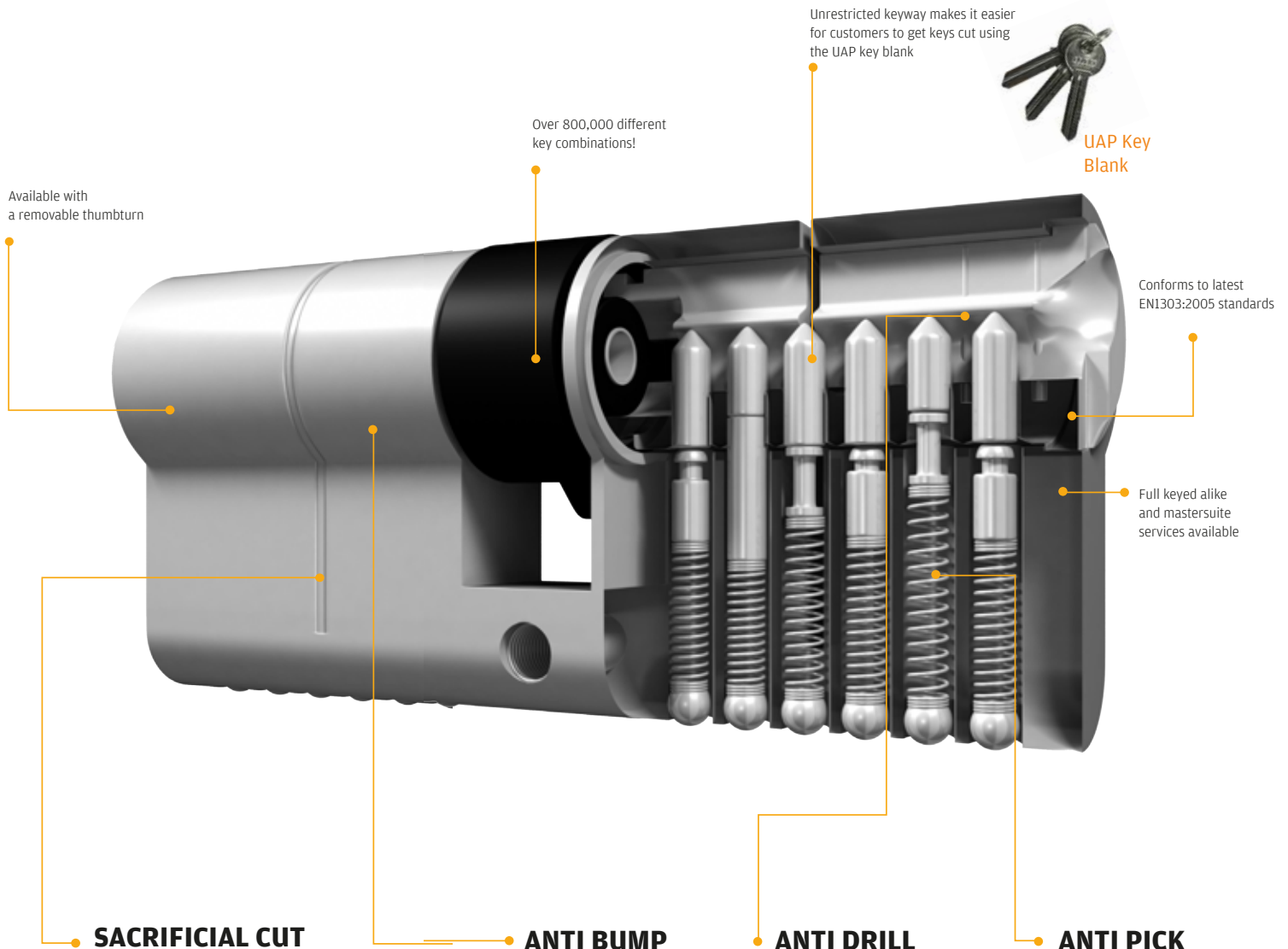


The UAP+ Cylinder is the best choice for inexpensive home security installation. Created in accordance with the British Standards KM561977, and also awarded the "Secured by Design" approval by the Association of Chief Police Officers, the high quality 6 pin Kitemarked Euro Cylinder can be fitted to any external door in order to ward off criminals that attempt to use the most popular break-in methods.

The cylinders have been tested to EN1303:2005, and is also 1 hour fire resistant! Each cylinder is packed full of security features, and is part of UAP's super smooth cylinders using the Chris Belcher designed anti-bump timing pin system. This very clever system uses nickel plated hardened steel key pins and driver pins, which gives the anti-drill feature we wanted to incorporate.

The Patented timing pins are designed to interrupt the timing of the pins when bumped, and it is highly effective. And because we use special pins rather than trap pins, we do not have a high expense to get this anti-bump feature! The timing pins also have inbuilt anti-picks, and mushroom driver pins, which makes them highly effective against picking.

We have in-house locksmiths which offer you the option to have keyed alike cylinders, or create customised and complex mastersuite systems.



## SACRIFICIAL CUT

The cylinder has a Sacrificial cut on each side, so when force is applied to either end, the cylinder will break away to the sacrificial cut line only, leaving the remaining cylinder operational and the locking mechanism intact.

## ANTI BUMP

The cylinder has a unique and patented anti-bump system which does not use trap pins. This system makes the turning of the cylinder key extra smooth.

## ANTI DRILL

7 x hardened steel anti-drill pins are in each side of the cylinder. Plus all moving pins are nickel plated hardened steel 50 HRC minimum.

## ANTI PICK

Minimum of 3 anti-pick pins in each side of the cylinder makes it extremely difficult for a common burglar to pick the cylinder.



## Double Cylinders



Overall Size	Split (X-10-X)	Split (X/X)	Brass Code	Nickel Code
60mm	25-10-25	30/30	ZL25/25BAS	ZL25/25NAS
70mm	25-10-35	30/40	ZL25/35BAS	ZL25/35NAS
70mm	30-10-30	35/35	ZL30/30BAS	ZL30/30NAS
75mm	25-10-40	30/45	ZL25/40BAS	ZL25/40NAS
80mm	25-10-45	30/50	ZL25/45BAS	ZL25/45NAS
80mm	30-10-40	35/45	ZL30/40BAS	ZL30/40NAS
80mm	35-10-35	40/40	ZL35/35BAS	ZL35/35NAS
85mm	30-10-45	35/50	ZL30/45BAS	ZL30/45NAS
85mm	35-10-40	40/45	ZL35/40BAS	ZL35/40NAS
90mm	30-10-50	35/55	ZL30/50BAS	ZL30/50NAS
90mm	40-10-40	45/45	ZL40/40BAS	ZL40/40NAS
90mm	35-10-45	40/50	ZL35/45BAS	ZL35/45NAS
95mm	35-10-50	40/55	ZL35/50BAS	ZL35/50NAS
95mm	40-10-45	45/50	ZL40/45BAS	ZL40/45NAS
100mm	35-10-55	40/60	ZL35/55BAS	ZL35/55NAS
100mm	40-10-50	45/55	ZL40/50BAS	ZL40/50NAS
100mm	45-10-45	50/50	ZL45/45BAS	ZL45/45NAS
100mm	25-10-65	30/70	—	ZL25/65NAS
105mm	45-10-50	50/55	ZL45/50BAS	ZL45/50NAS
110mm	40-10-60	45/65	ZL40/60BAS	ZL40/60NAS
110mm	45-10-55	50/60	ZL45/55BAS	ZL45/55NAS



**Eurocell Modus  
The Landlords Lock  
Triple Glazing**





The Zero Lift Thumbturn Euro Cylinder from UAP has been developed especially to make opening easier for those with arthritis and limited hand movement. Its special D thumbturn shape is designed for better grip and easier turning.



Push button removable end

# Thumbturn Cylinders

## Thumbturn on T side



Overall Size	Split (X-10-X)	Split (X/X)	Brass Code	Nickel Code
60mm	25T-10-25	30T/30	ZL25T/25BAS	ZL25T/25NAS
70mm	30T-10-30	35T/35	ZL30T/30BAS	ZL30T/30NAS
80mm	30-10-40T	35/45T	ZL30/40TBAS	ZL30/40TNAS
80mm	30T-10-40	35T/45	ZL30T/40BAS	ZL30T/40NAS
80mm	35T-10-35	40T/40	ZL35T/35BAS	ZL35T/35NAS
85mm	30T-10-45	35T/50	ZL30T/45BAS	ZL30T/45NAS
85mm	35T-10-40	40T/45	ZL35T/40BAS	ZL35T/40NAS
90mm	30-10-50T	35/55T	ZL30/50TBAS	ZL30/50TNAS
90mm	30T-10-50	35T/55	ZL30T/50BAS	ZL30T/50NAS
90mm	35-10-45T	40/50T	ZL35/45TBAS	ZL35/45TNAS
90mm	35T-10-45	40T/50	ZL35T/45BAS	ZL35T/45NAS
90mm	40T-10-40	45T/45	ZL40T/40BAS	ZL40T/40NAS
95mm	35-10-50T	40/55T	ZL35/50TBAS	ZL35/50TNAS
95mm	35T-10-50	40T/55	ZL35T/50BAS	ZL35T/50NAS
95mm	40T-10-45	45T/50	ZL40T/45BAS	ZL40T/45NAS
100mm	45T-10-45	50T/50	ZL45T/45BAS	ZL45T/45NAS
100mm	40T-10-50	45T/55	ZL40T/50BAS	ZL40T/50NAS
100mm	40-10-50T	45/55T	ZL40/50TBAS	ZL40/50TNAS
100mm	25-10-65T	30/70T	—	ZL25/65TNAS
100mm	25T-10-65	30T/70	—	ZL25T/65NAS
105mm	45-10-50T	50/55T	ZL45/50TBAS	ZL45/50TNAS
105mm	45T-10-50	50T/55	ZL45T/50BAS	ZL45T/50NAS
110mm	45-10-55T	50/60T	ZL45/55TBAS	ZL45/55TNAS
110mm	45T-10-55	50T/60	ZL45T/55BAS	ZL45T/55NAS



**Eurocell Modus**  
**Eurocell Modus**  
**Triple Glazing**  
**Triple Glazing**

## Double Black Cylinders



Overall Size	Split (X-10-X)	Split (X/X)	Product Code
60mm	25-10-25	30/30	ZL25/25BLACK
65mm	25-10-30	30/35	ZL25/30BLACK
70mm	30-10-30	35/35	ZL30/30BLACK
80mm	30-10-40	35/45	ZL30/40BLACK
80mm	35-10-35	40/40	ZL35/35BLACK

## Single Black Cylinders



Overall Size	Split (X-10-X)	Split (X/X)	Product Code
40mm	25-10-5	30/5	ZL25/10BLACK
45mm	30-10-5	35/5	ZL30/10BLACK
50mm	35-10-5	40/5	ZL35/10BLACK

## Thumbturn Black Cylinders

Thumbturn on T side



Overall Size	Split (X-10-X)	Split (X/X)	Product Code
60mm	25T-10-25	30T/30	ZL25T/25BLACK
65mm	25-10-30T	30/35T	ZL25/30TBLACK
65mm	25T-10-30	30T/35	ZL25T/30BLACK
70mm	30T-10-30	35T/35	ZL30T/30BLACK
80mm	35T-10-35	40T/40	ZL35T/35BLACK

All products available as keyed alike in pairs, keyed the same and Master Suite/ See page 22



## Double Flint Cylinders

## Thumbturn Flint Cylinders

Thumbturn on T side

**Overall Size**   **Split (X-10-X)**   **Split (X/X)**   **Product Code**

70mm	30-10-30	35/35	ZL30/30FAS
80mm	35-10-35	40/40	ZL35/35FAS

**Overall Size**   **Split (X-10-X)**   **Split (X/X)**   **Product Code**

70mm	30T-10-30	35T/35	ZL30T/30FAS
80mm	35T-10-35	40T/40	ZL35T/35FAS



## Double Chrome Cylinders

## Thumbturn Chrome Cylinders

Thumbturn on T side

**Overall Size**   **Split (X-10-X)**   **Split (X/X)**   **Product Code**

70mm	30-10-30	35/35	ZL30/30CAS
80mm	35-10-35	40/40	ZL35/35CAS

**Overall Size**   **Split (X-10-X)**   **Split (X/X)**   **Product Code**

70mm	30T-10-30	35T/35	ZL30T/30CAS
80mm	35T-10-35	40T/40	ZL35T/35CAS





Anti-Pick



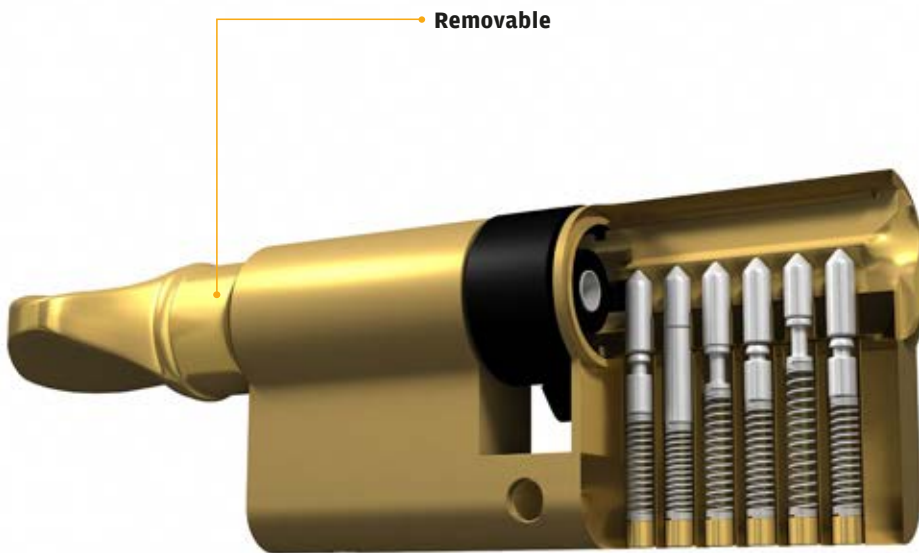
Anti-Drill



Anti-Bump

## 1\* Budget Cylinders

Overall Size	Split (X-10-X)	Split (X/X)	Brass Code	Nickel Code
70mm	30-10-30	35/35	35/35BZL	35/35NZN
80mm	35-10-35	40/40	40/40BZL	40/40NZN
95mm	40-10-45	45/50	45/50BZL	45/40NZN



## 1\* Budget Thumbturn Cylinders

Overall Size	Split (X-10-X)	Split (X/X)	Brass Code	Nickel Code
70mm	30T-10-30	35T/35	35T/35BZL	35T/35NZN
80mm	35T-10-35	40T/40	40T/40BZL	40T/40NZN
95mm	40T-10-45	45T/50	45T/50BZL	45T/40NZN



Anti-Pick



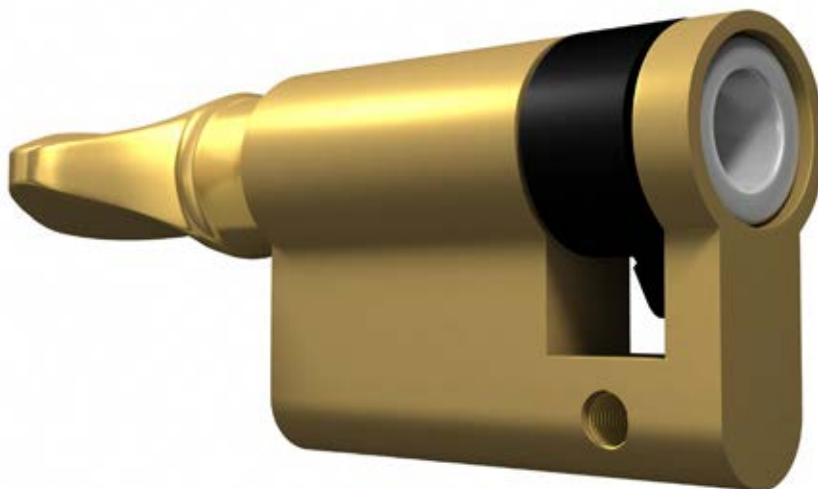
Anti-Drill



Anti-Bump

## 1\* Budget Half Cylinders

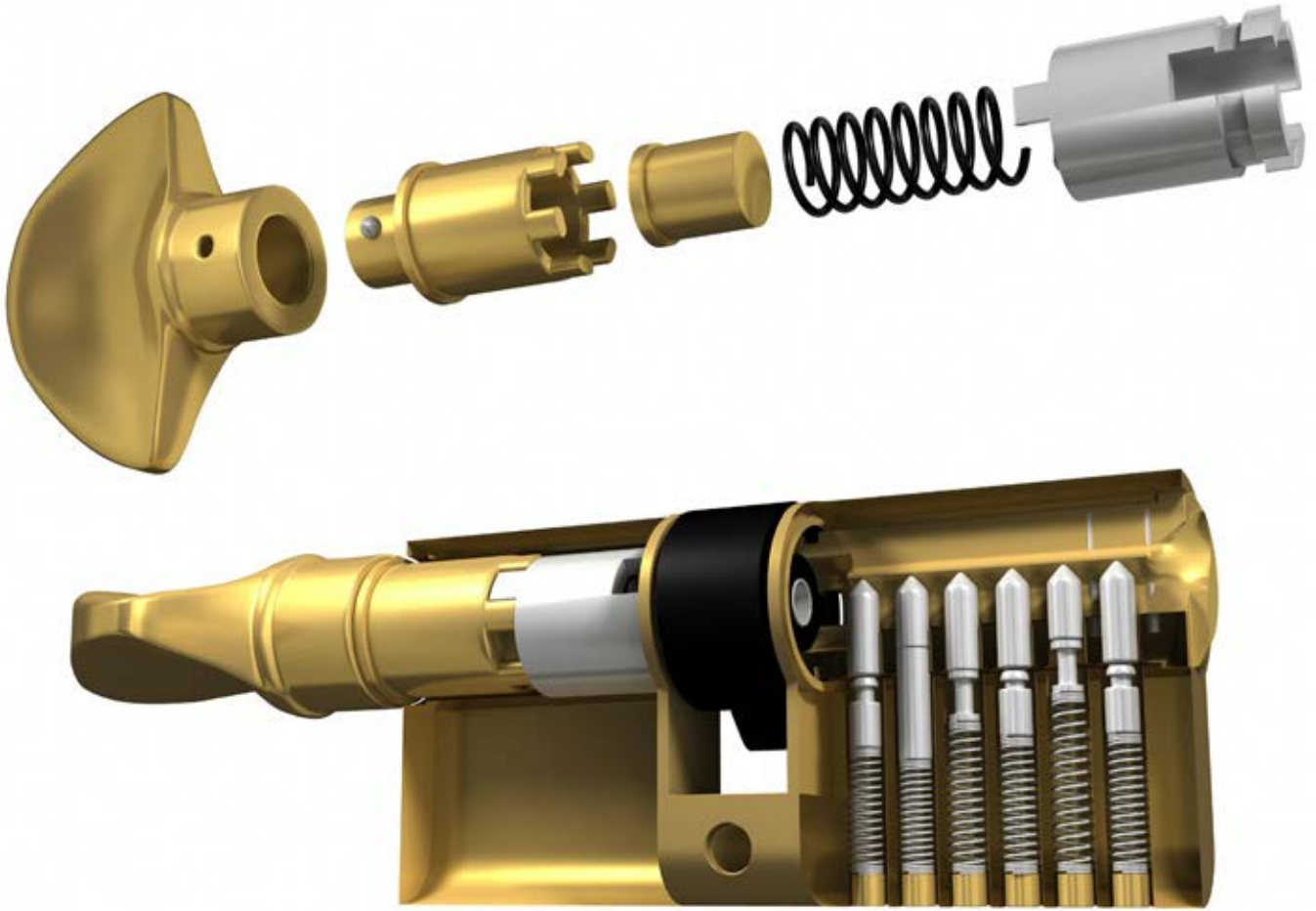
Overall Size	Split (X-10-X)	Split (X/X)	Brass Code	Nickel Code
40mm	30-10	35/5	30/10BZL	—
45mm	35-10	40/5	35/10BZL	—
50mm	40-10	45/5	40/10BZL	40/10NZL



## 1\* Budget Half Thumbturn Cylinders

Overall Size	Split (X-10-X)	Split (X/X)	Brass Code	Nickel Code
50mm	40T-10	45T/5	40T/10BZL	40T/10NZL

# Push-2-Turn™



Anti-Drill



Anti-Bump



Anti-Pick



## Push-2-Turn™ — Cylinder TS008 Thumbturn

**Overall Size    Split (X-10-X)    Split (X/X)    Brass Code    Nickel Code    Chrome Code**

70mm    30T-10-30    35T/35    35T/35BZL-TS008    35T/35NZL-TS008    35T/35CZL-TS008

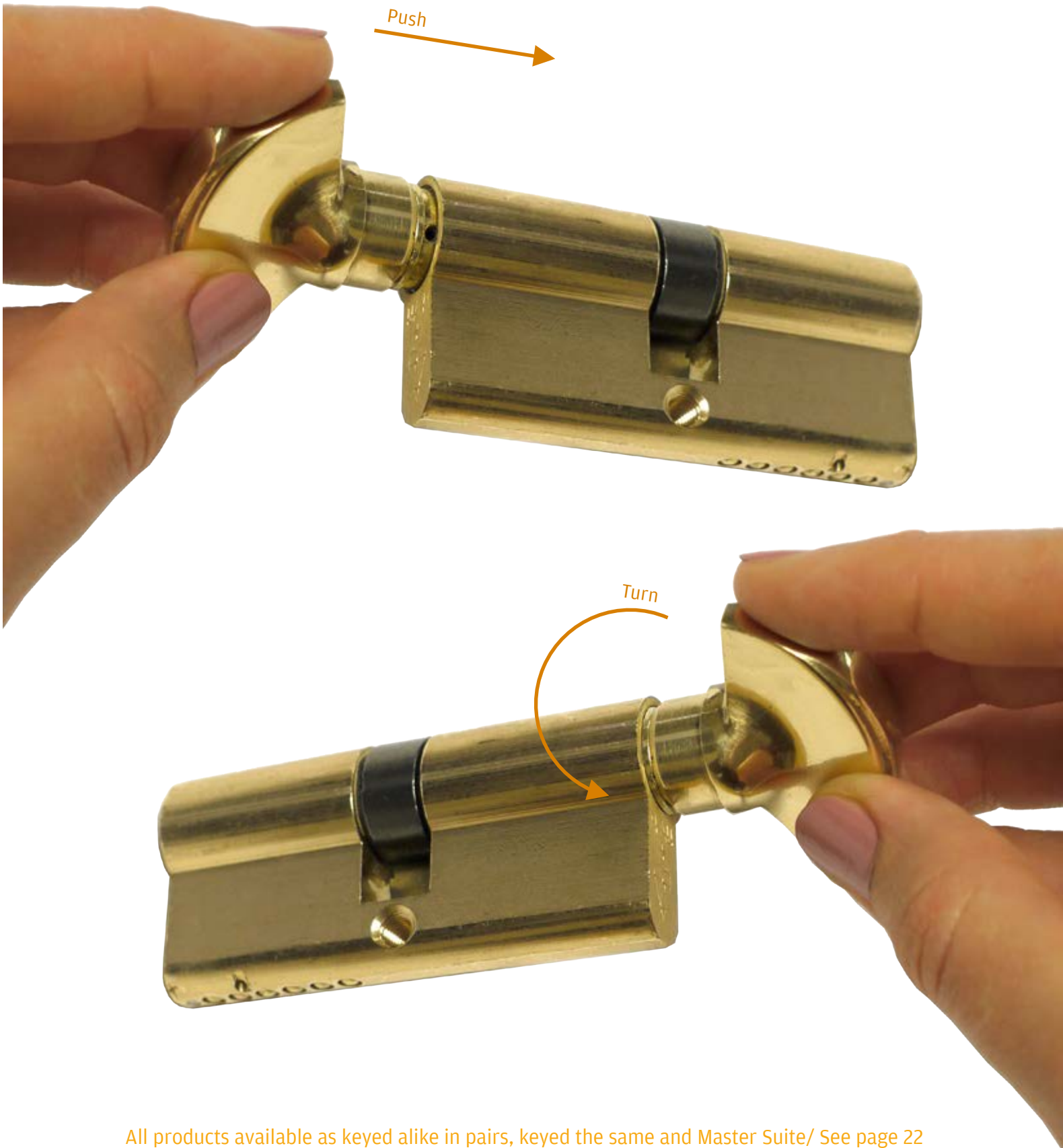


Many companies are currently looking at different options to overcome keyfishing and prevent criminals being able to turn thumbturn cylinders from the outside of the door. Even installing a letterplate restrictor shroud, it is still possible to get

straps around the thumbturn and open it. Push-2Turn™ has been developed to overcome this problem. The Push-2Turn™ thumbturn cylinder uses a Patented system where the thumbturn needs to be pushed in by the user first before it will engage and open.

This means that if a strap is put over the thumbturn from the outside, the thumbturn will just spin and not engage and open!

The thumbturn is currently available in a limited number of sizes, however a full range of Push-2-Turn™ sizes will be released shortly!



All products available as keyed alike in pairs, keyed the same and Master Suite/ See page 22



## Double Cylinders



Overall Size	Split (X-10-X)	Split (X/X)	Brass Code	Nickel Code
67mm	22-10-35	27/40	ZL22/35BAS	ZL22/35NAS



Push button removable end



Sacrificial Cut



Anti-Drill



Anti-Bump



Anti-Pick

## Thumbturn Cylinders

Overall Size	Split (X-10-X)	Split (X/X)	Brass Code	Nickel Code
67mm	22-10-35T	27/40T	ZL22/35TBAS	ZL22/35TNAS

All products available as keyed alike in pairs, keyed the same and Master Suite/ See page 22

# Rim Cylinders

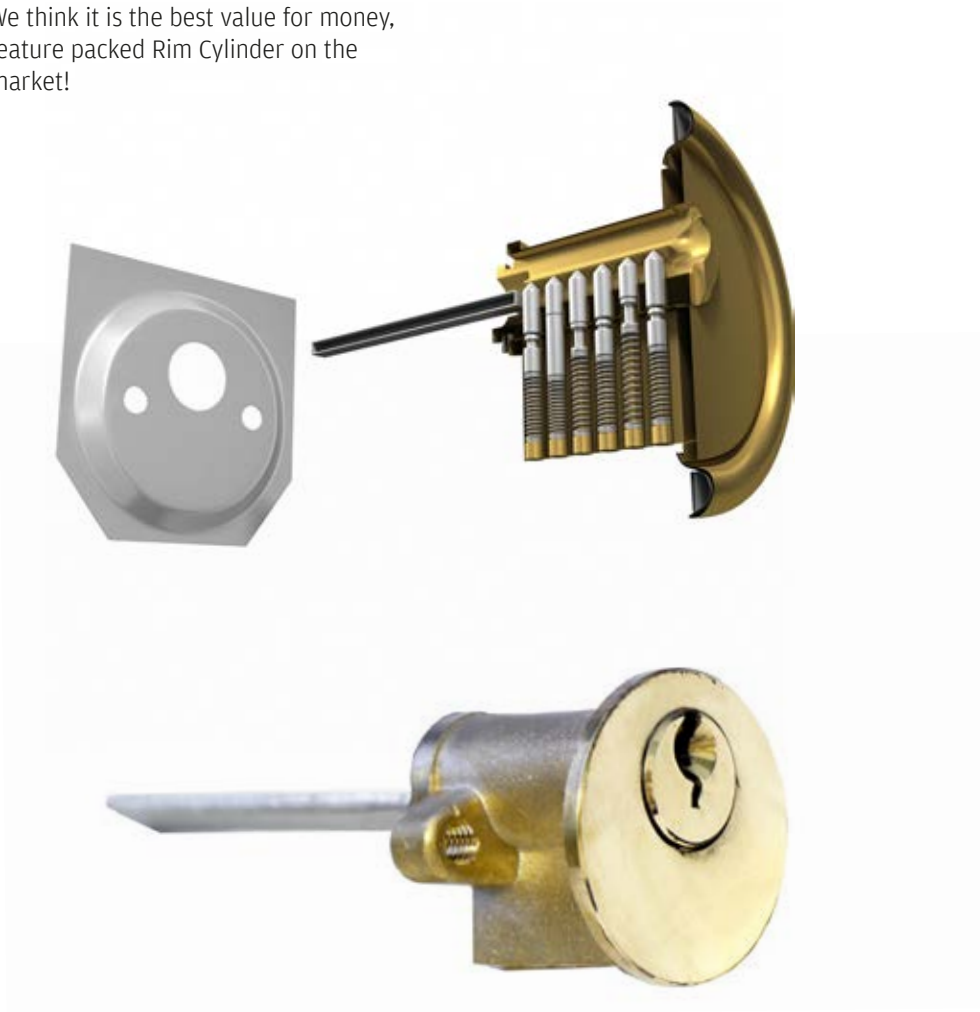


We have been asked many times to develop a budget Rim Cylinder, however we didn't want to just launch something that was the same as what is currently already on the market. Instead we sat back, asked a lot of questions and sampled a lot of product. And now we have what we believe to be one of the best Rim Cylinders on the market!

As an important added feature, the Rim Cylinders can be keyed alike to the UAP cylinders which is a very important requirement. Furthermore, we offer a full Master Suiting service for these products!

Each Rim Cylinder is 6 pin, and packed full of security features including our Patented anti-bump system, and anti-drill and anti-pick feature.

So how good is the UAP Rim Cylinder? We think it is the best value for money, feature packed Rim Cylinder on the market!



**Pair alike with UAP+ Cylinders**



UAP Cylinder

+



Rim Cylinder

=



Same Key



Anti-Drill



Anti-Bump



Anti-Pick

Overall Size	Brass Code	Chrome Code
70mm	ZLRIMBRASS	ZLRIMCHROME





## Tradelocks Budget Cylinders

Overall Size	Split (X-10-X)	Split (X/X)	Brass Code	Nickel Code
60mm	25-10-25	30/30	TL30/30B	TL30/30N
70mm	30-10-30	35/35	TL35/35B	TL35/35N
80mm	35-10-35	40/40	TL40/40B	TL40/40N
85mm	30-10-45	35/50	TL35/50B	TL35/50N
85mm	35-10-40	40/45	TL40/45B	TL40/45N
90mm	30-10-50	35/55	TL35/55B	TL35/55N
90mm	35-10-45	40/50	TL40/50B	TL40/50N
90mm	40-10-40	45/45	TL45/45B	TL45/45N
95mm	35-10-50	40/55	TL40/55B	TL40/55N
95mm	40-10-45	45/50	TL45/50B	TL45/50N
100mm	35-10-55	40/60	TL40/60B	TL40/60N
100mm	40-10-50	45/55	TL45/55B	TL45/55N
100mm	45-10-45	50/50	TL50/50B	TL50/50N



## Tradelocks Budget Thumbturn Cylinders

Overall Size	Split (X-10-X)	Split (X/X)	Brass Code	Nickel Code
70mm	30-10-30	35/35	TL35T/35B	TL35T/35N
80mm	35-10-35	40/40	TL40T/40B	TL40T/40N
90mm	30-10-50	35/55	TL35T/55B	TL35T/55N
90mm	35-10-45	40/50	TL40T/50B	TL40T/50N
90mm	35-10-45	40/50	TL40/50TB	TL40/50TN
90mm	40-10-40	45/45	TL45T/45B	TL45T/45N
95mm	35-10-50	40/55	TL40T/55B	TL40T/55N
95mm	40-10-45	45/50	TL45T/50B	TL45T/50N
100mm	35-10-55	40/60	TL40/60B	TL40/60N
100mm	40-10-50	45/55	TL45T/55B	TL45T/55N
100mm	40-10-50	45/55	TL45/55TB	TL45/55TN
100mm	45-10-45	50/50	TL50/50B	TL50/50N

TURN ON LONG SIDE

TURN ON LONG SIDE

Though called the Tradelocks budget cylinder, it has been designed to be anything but budget. Each cylinder is an extremely high quality 5 pin cylinder, with added security features which makes it stand out from all other budget cylinder in the market, however it still retains its budget price tag!

Each cylinder comes complete with anti-pick mushrooms, anti-drill pins, and uses our brand new Patented anti-bump zero lift pin system! The cylinders are also designed to operate as smooth as possible!



Anti-Drill



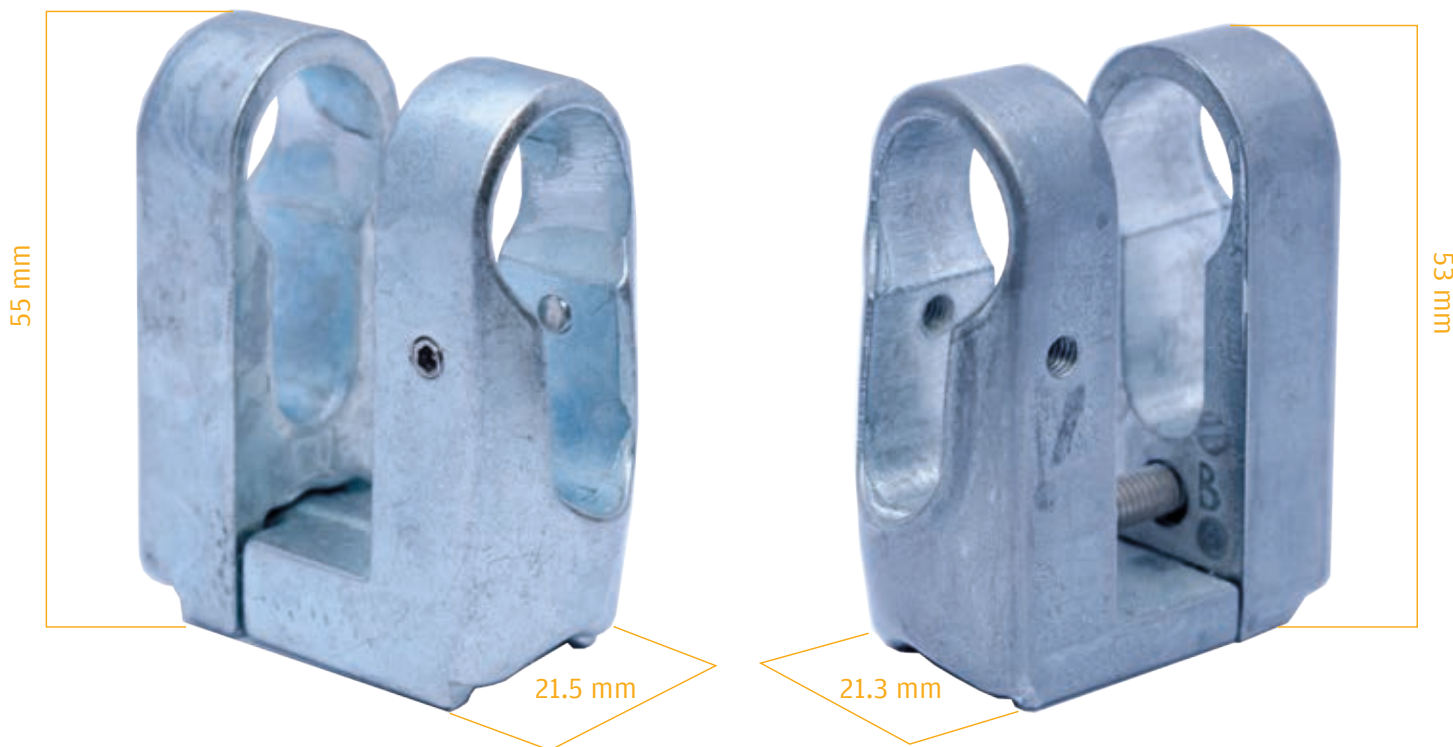
Anti-Bump



Anti-Pick

All products available as keyed alike in pairs, keyed the same and Master Suite/ See page 22

# Cylinder Guard



Ideal routing 60mm x 24mm

Version A - CGVA

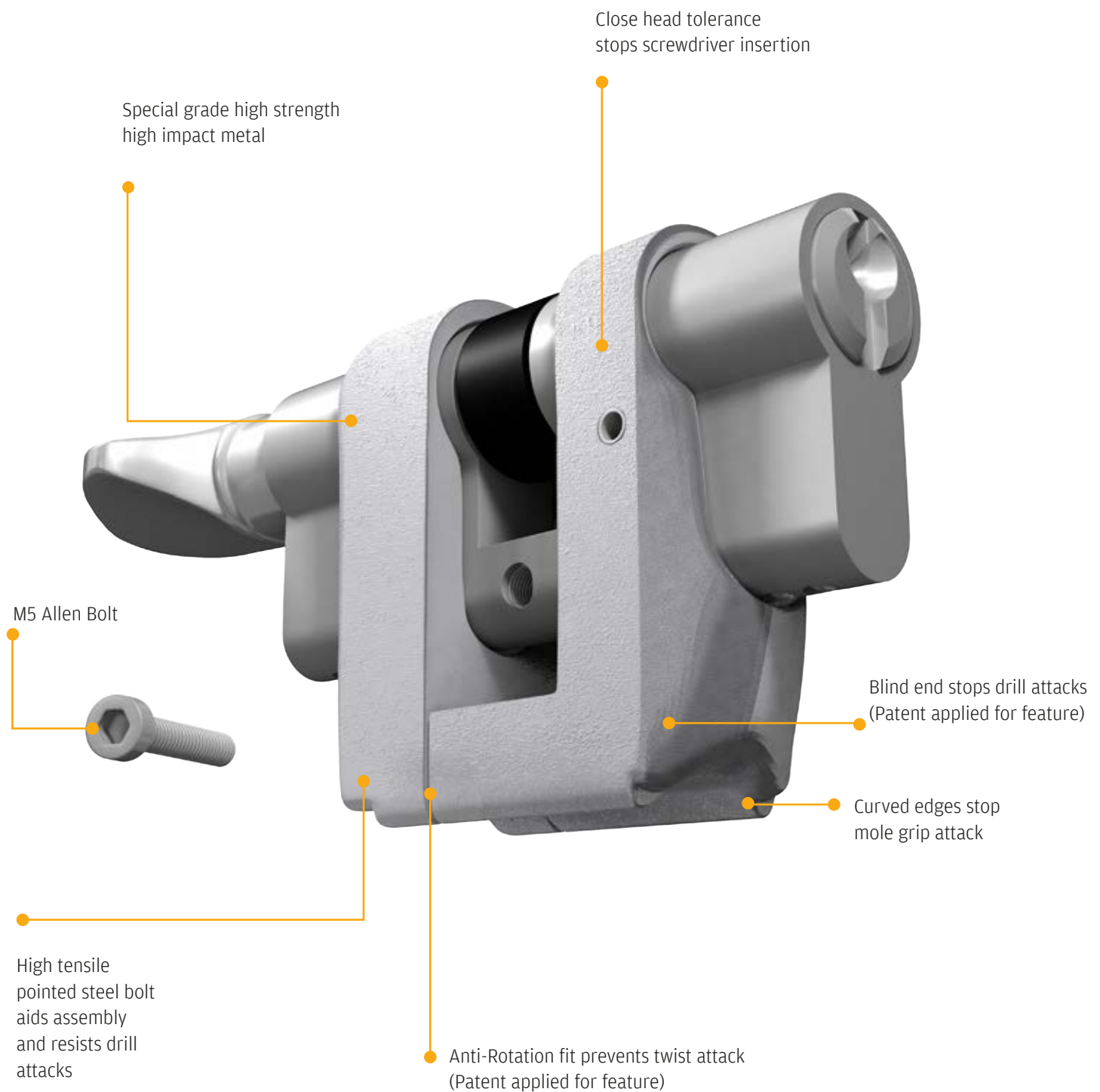
Version B - CGVB





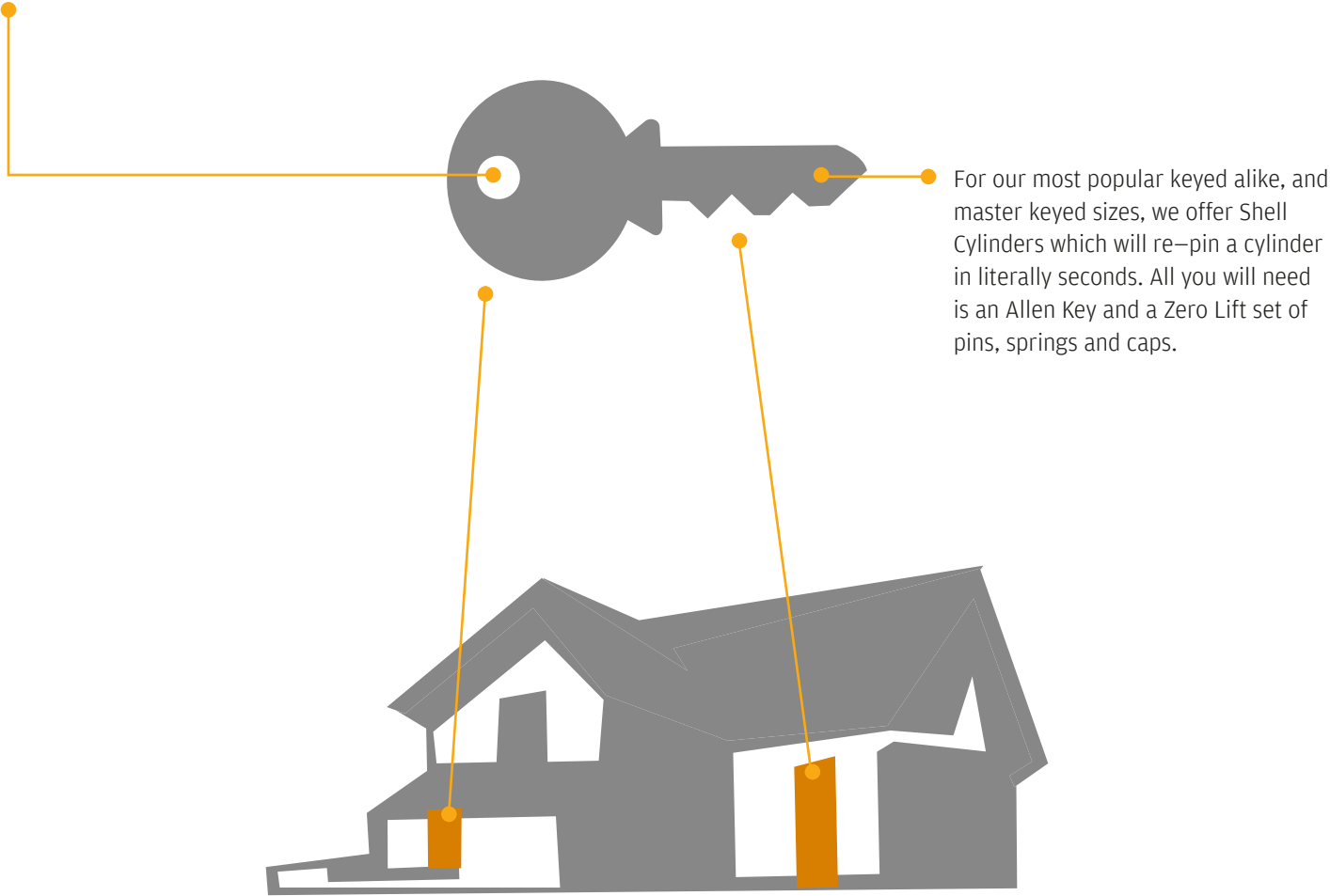
The TS 007:2012 2 Star Kitemarked Cylinder Guard offers the most affordable way to three star security, when combined with a UAP Zero Lift 1 Star Cylinder. The Patent Pending Cylinder Guard offers flexibility as it can be used with any handle, will fit almost any Euro Cylinder, and 95% of Multi Point Locks.

The Cylinder Guard has been designed to combat drill attacks, and has many Patented security features, including:



# Keyed Alike Cylinders

Access to front doors, back doors, garage doors and conservatories can be gained using just one key rather than having multiple keys!

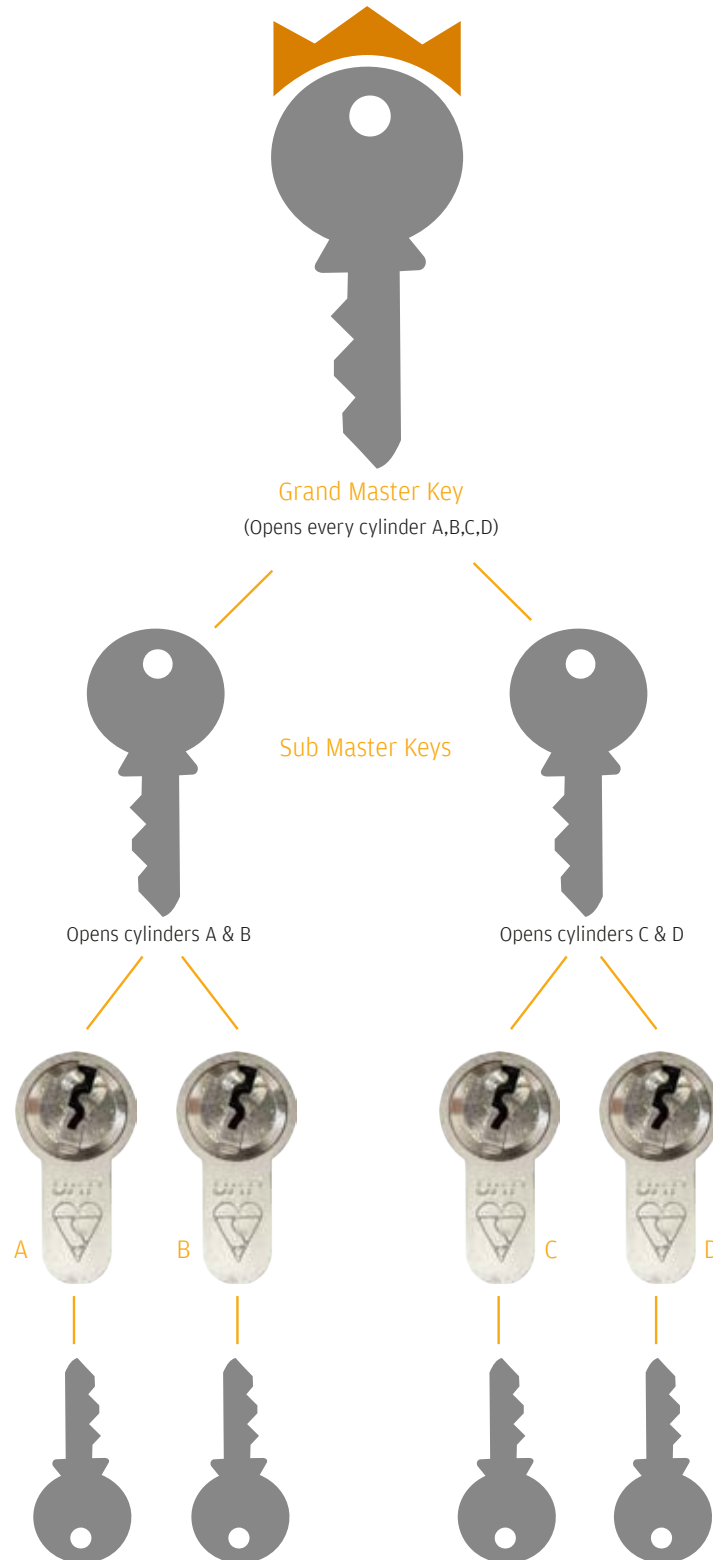


For the other sizes we offer a comprehensive re-pinning kit and free training DVD for non-kitemark cylinders



# Master Suiting Facilities

UAP can supply a full and highly secure master key suite for larger commercial applications



## Master Keyed suites are ideal for:

- Local Authorities
- Sheltered Accommodation
- Commercial Premises
- Apartments
- Hotels





*INNOVATIVE DOOR HARDWARE SOLUTIONS*

Unit 1 Albert Close Trading Estate  
Whitefield, Manchester  
M45 8EH  
England, UK

[uapcorporate.com](http://uapcorporate.com)  
[sales@uapcorporate.com](mailto:sales@uapcorporate.com)

**0161 796 7268**