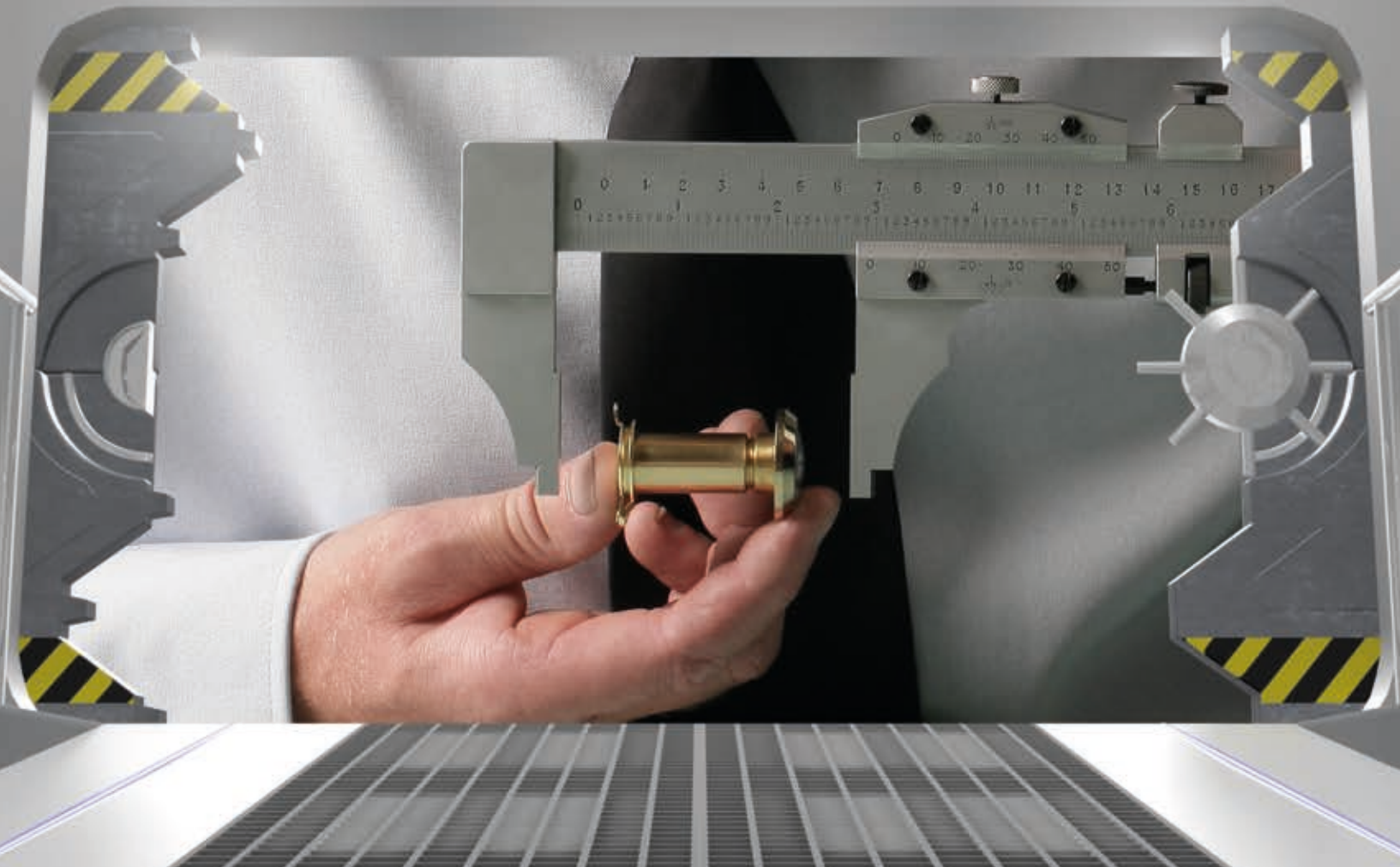


UAD **LIMITED**

INNOVATIVE DOOR HARDWARE SOLUTIONS

DOOR VIEWERS

TESTING



Introduction

Prided on product excellence and innovation; UAP Limited, have an unrivalled reputation for the products we supply and the service we provide.

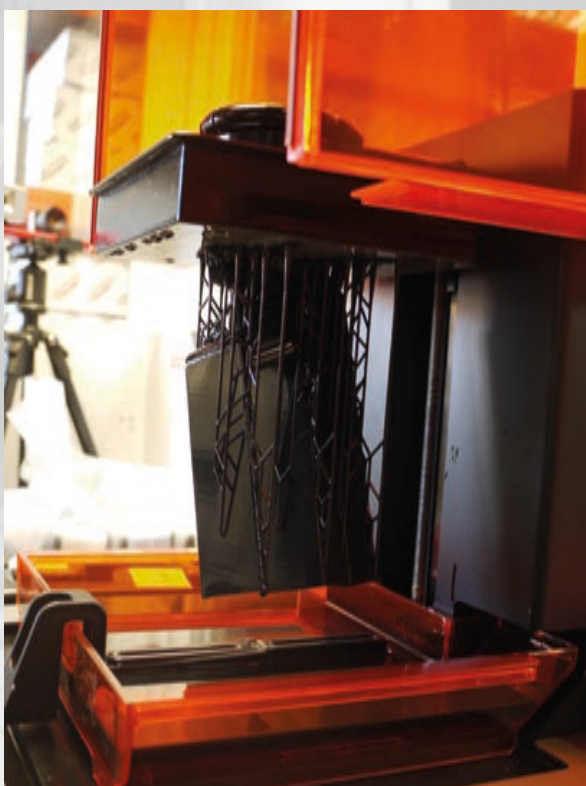
As a company we work with industry leading, highly respected manufacturers, importing the very best goods from around the globe.

We take care of our customers by providing solutions to ANY door hardware requirements. This includes sophisticated door and window security solutions and attractive decorative furnishings; both for commercial and domestic needs.

At UAP we are constantly striving to improve on the products we already supply as well as develop new, pioneering ranges and practical product solutions.

With an in house testing centre and product developer, each stage of the development process is thorough, from the initial design right down to the final product.

In house 3D printing technology allows for further and more precise advancement of our products which are then expertly manufactured and put through stringent testing conditions using in house test equipment – ensuring all products are designed to the highest standards.



DHF TS 002:2009 Test Report Data:

Corrosion Resistance

Door Viewer was subjected to a neutral salt spray test as detailed in BS EN 1670:2007 for 96 hours (grade 3).

Comments	Grade
Minor red corrosion of cover	3

Angle of Vision

The door viewer was mounted, in accordance with the manufacturer's instructions, to a 45mm thick (+/-1mm) wooden block which, in turn, was mounted perpendicular to a protractor. Whilst looking through the door viewer, a point source of light was moved into view and the angle at which it first appeared (measured from a datum perpendicular to the 'door' face) was noted. The test was repeated from the 180° opposite position and the two readings were added together to give an average 'viewing angle' for the cone of vision.

LH Reading	RH Reading	Angle of Vision	Grade
46	49	95	Unclassified

Visual Clarity

The door viewer was mounted in a suitable test-rig in which the viewer was held perpendicular to a sheet of text at a distance of 150 mm. Using normal or corrected normal vision, in good light, attempts were made to read text in progressively smaller point sizes and the smallest point size that could be read was noted. (The font used was Arial Black - regular, printed using Microsoft Word).

Reading B	Reading C	Grade
10	10	3

Resistance to Misting Up

The door viewer was mounted, in accordance with the manufacturer's instructions, to a 45mm thick (+/-1mm) painted wooden block-representing part of a typical external door to a dwelling. This, in turn, was mounted in a test-rig in which the viewer was held perpendicular to a sheet of text at a distance of 150 mm. Using normal or corrected normal vision, in good light, attempts were then made to read text in progressively reducing font sizes and the smallest point size that could be read was noted. The wooden block was then stood upright in an environmental chamber and subjected to 72 hours of cyclic humidity to BS 3900-F2:1973. Immediately after the humidity test, the readability test was repeated by the same person.

Initial Reading B	Initial Reading C	Reading B	Reading C	Grade
10	10	None	None	1

Ability to Clear After Misting Up

Following the humidity test, the door viewer (still in the wooden block) was allowed to dry out for 72 hours at 30 °C, after which the readability test was repeated by the same person who carried out the initial test.

Initial Reading B	Initial Reading C	Reading B	Reading C	Grade
10	10	10	10	3

Length Adjustment Range

The door viewer was screwed up to its shortest length and the distance between the mounting flanges noted. It was then unscrewed so that there was a full turn of engagement on all threaded connections and the distance between mounting flanges was again noted.

Minimum Length	Maximum Length	Grade
34.8	60.1	35-60

Testing

120 Degree Viewer Test

In order to meet Secured by Design specifications a door viewer must have a viewing angle of 120 degrees (60 degrees on either side).

To test the angle of vision, the door viewer is fitted to a wooden block with a thickness of 45mm. The block is then fitted onto a protractor which is visible through the door viewer. The tester must look through the viewer and follow a stick, which they are holding, around the protractor until it is only just in sight through the viewer. This point must then be marked and the process is repeated on the other side. The test is conducted in accordance with DHF TS002:2009 standards.



Salt Spray Test

This machine tests the corrosion resistance of the door viewers. The salt spray cabinet produces a corrosive environment, by releasing a dense saline fog into the chamber which the products are exposed to. This creates an accelerated corrosion of the product and allows us to test how well the door viewer would stand up in harsher environments.

The door viewers are tested for differing lengths of time depending on the standard requirements; 480 hours for brass, zamak and aluminium based door viewers where we offer a 5 year inland coating guarantee, and in the case of stainless steel Nanocoast door viewers, we test for 2,000 hours where we offer a LIFETIME coating guarantee anywhere in the country, as the door viewers will not pit or rust.



All Weather Testing Machine

When placed in the all-weather machine, the door viewers are subjected to conditions including high UV exposure using a Xenon Arc Lamp which will accelerate UV degradation and measure how well a door viewer can last in extreme conditions.

Other conditions such as rain and extreme heat can be generated by the machine to expose door viewers to all kinds of environments. This allows us to continually improve the door viewers and make them so they last longer in all kinds of different environments.



Brands



UAP is one of the most widely recognised door hardware brands in the industry. The UAP brand consists of door knockers, door viewers, letterplates, door and window handles, numbers and letters, door locks, euro cylinders, mortice locks, window security and door security products. Every product is innovatively designed and constantly developed to ensure every product is of the highest quality and meets every customers requirements.

More information can be found at www.uapcorporate.com



MAX6MUM SECURITY is a range door hardware and security products aimed for the retail market. The range consists of blister packed high quality architecturally specified and low cost products that anyone can install to improve home security. MAX6 is fully backed by a huge marketing campaign featuring our brand mascot 'Max' which is perfect for any trade counter or hardware shop.

More information can be found at www.max6.co.uk



Tradelocks is one of the largest locksmith brands in the UK, providing locksmith tools to gain entry to a number of different domestic locks, cars and safes. Tradelocks supplies domestic locksmiths, auto locksmiths and safe locksmiths, as well as a number of auto recovery companies and government agencies.

More information can be found at www.tradelocks.co.uk



Genuine Lishi is one of the most recognised and trusted vehicle opening tool brands in the World. Genuine Lishi is supplied and distributed to over 80 countries, and is high sought after due to its high quality and innovative products, including the brand new NightVision 3 in 1 picks and decoders.

More information can be found at www.genuinelishi.com

48 Hour Delivery Policy*

Our 48 hour delivery promise is targeted on all stocked products.

5 Year Product Guarantee

All products inside this brochure come with up to a 5 year guarantee except the Nanocoast® range which is a lifetime coating guarantee.

Salt Spray Testing

All of our products in this catalogue have been salt spray tested to ASTM B117 for 480 hours, apart from the Nanocoast® range which has been salt spray tested for 2,000 hours.

Anodised Coatings

The anodised coating used on our Aluminium products conform to ISO 7599 AA15 and comes with a 10 year colour fastness guarantee.

Guarantee

The guarantees mentioned in this brochure are for guidance only and unless otherwise stated, only relates to products being used in inland areas which are defined as 25 miles from the coast, or 5 miles from highly polluted industrial areas. Please ask your UAP account manager for copies of the guarantee wording covering your product of interest and please talk to your account manager about any specific application you might have.

*48 hours means 2 working days. Product colours may vary slightly from the actual photograph.

Our Nanocoast[®] range of products are specifically designed for areas which are within a 25 mile radius of the coast, or within 5 miles of highly populated industrial areas. Made from 304 grade stainless steel, each product in the range has been salt spray tested to ASTM B117 for 2,000 hours, and comes with an industry first LIFETIME coating guarantee, as the products will not pit, rust or corrode no matter what environments you put them in!

Why Have We Used 304 Grade Stainless Steel?

We believe 304 grade stainless steel is the perfect grade of stainless steel to use at the coast for the cost price versus performance of the products. 304 grade is an austenitic stainless steel, containing 18% chromium and 8% nickel, and also a low carbon content. Due to this it has an excellent corrosion resistance in a wide variety of environments, and has good resistance to oxidation.

Downgrading the stainless steel quality to a 200 series grade stainless steel, means that even though they have similar mechanical and physical properties to the 304 grade, there is decreased nickel content. The nickel is replaced by manganese which results in weak corrosion resistance, and high carbon content leaves the stainless steel susceptible to stress corrosion cracking. Upgrading to 316 grade stainless steel is a lot more expensive than 304 grade stainless steel, which will dramatically put up the price of products, and only slightly increases the corrosion resistance as it contains 18% chromium and 10% nickel. However it shares similar characteristics to 304 grade stainless steel in resistance to oxidation and durability. 316 grade is usually used when you need a higher resistance to solutions such as sulfuric acid and chlorides at high temperatures.

Features and Benefits

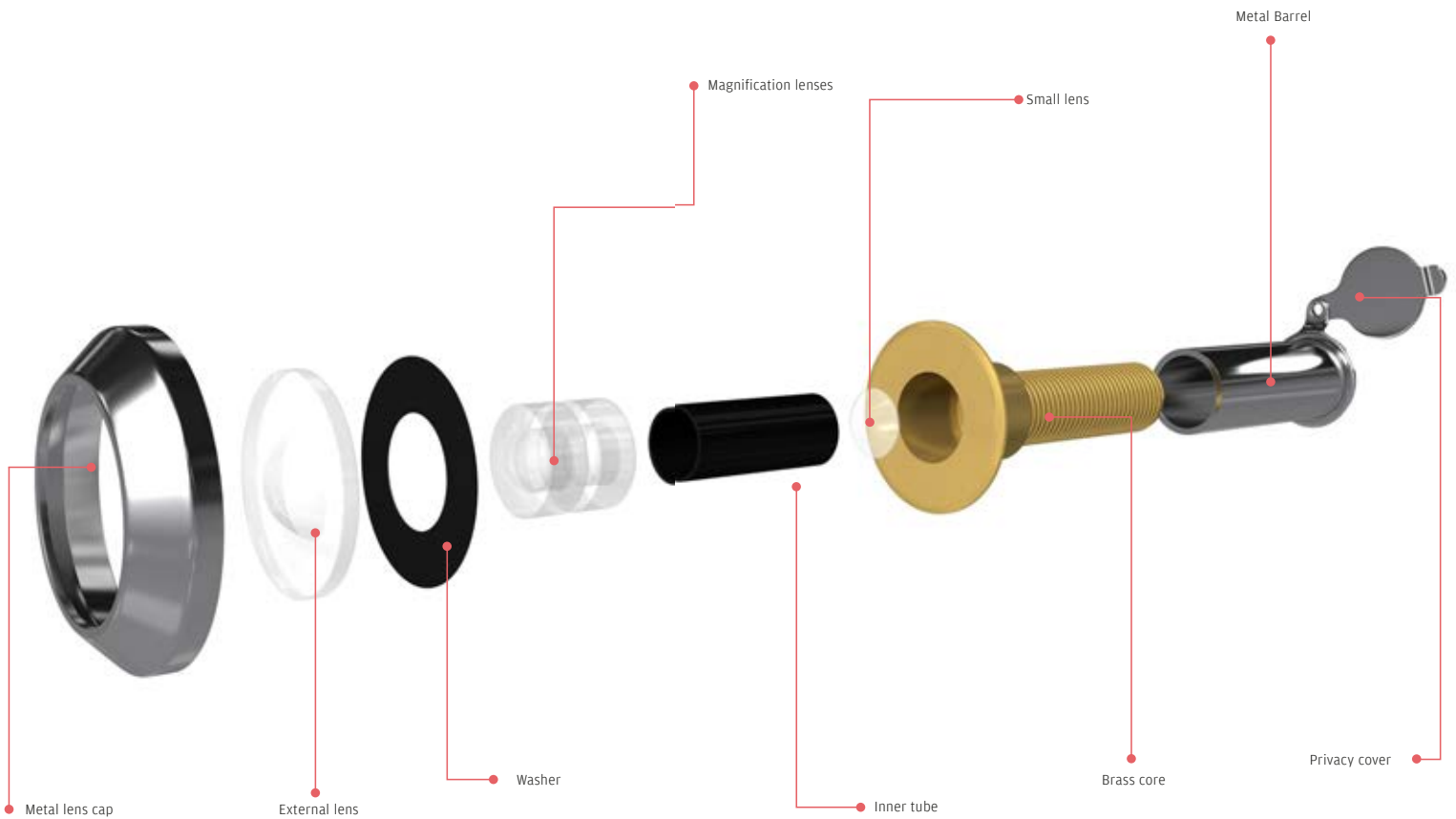
- All products made from 304 grade stainless steel
- Salt spray tested to ASTM B117:2005 for 2,000 hours
- LIFETIME coating guarantee ANYWHERE in the country
- Doesn't rust or pit at the coast
- Huge range of suited and colour matched products
- Available in 3 finishes:
Mirror Polished, PVD Gold and Satin Stainless
- Competitively priced



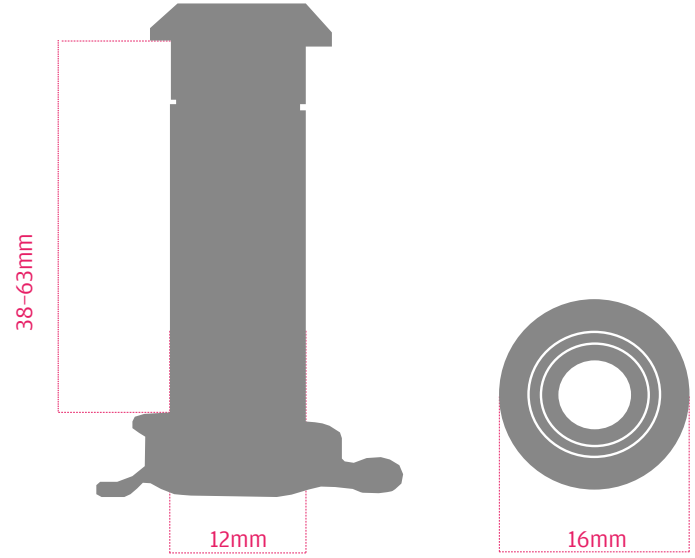
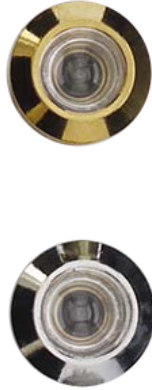
Door Viewers

Door viewers are a great security accessory, as no door should be opened without first checking who in on the other side. Each door viewer has gone through rigorous testing, and have been awarded 'Secured by Design' by the Association of Police Officers. Made with a solid brass body and comprising of 3 plastic lenses, each door viewer ensures to give crystal clear performance for years of safe, secure use.

We have a range of door viewer sizes, in a range of 6 different colours. As standard, the door viewers are salt spray tested for 480 hours, and come with a 5 year inland coating guarantee. Polished brass and chrome door viewers come with a PVD head, which helps prevent rust developing in coastal areas. Polished brass, chrome, black and white door viewers also come with a free privacy cover.



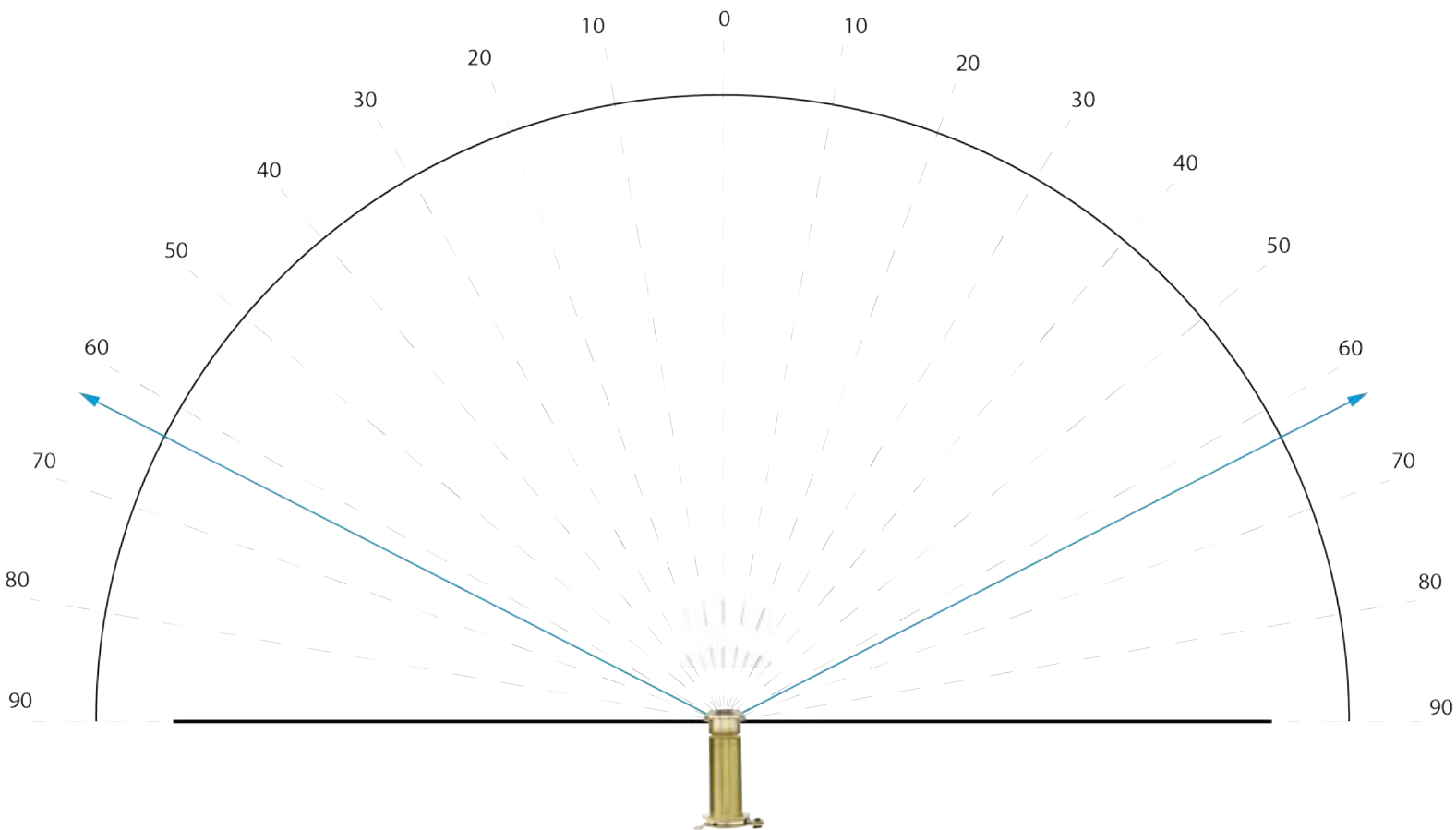
Secured by Design Door Viewers



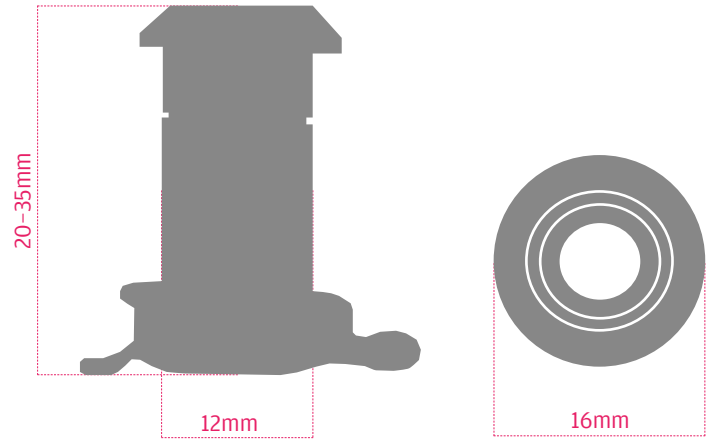
Finishes	Product Code	Material Construction	Privacy Cover Included	PVD Head	Lens	Coating Guarantee
Polished Brass	CILBR-120	Brass	Yes	Yes	Glass	5 Years
Polished Chrome	CILCH-120	Brass	Yes	Yes	Glass	5 Years

Sizes	
Barrel Thickness	12mm
Extension	38-63mm
View Head Size	16mm

All Secured by Design door viewers must now have a minimum viewing angle of 120 degrees:



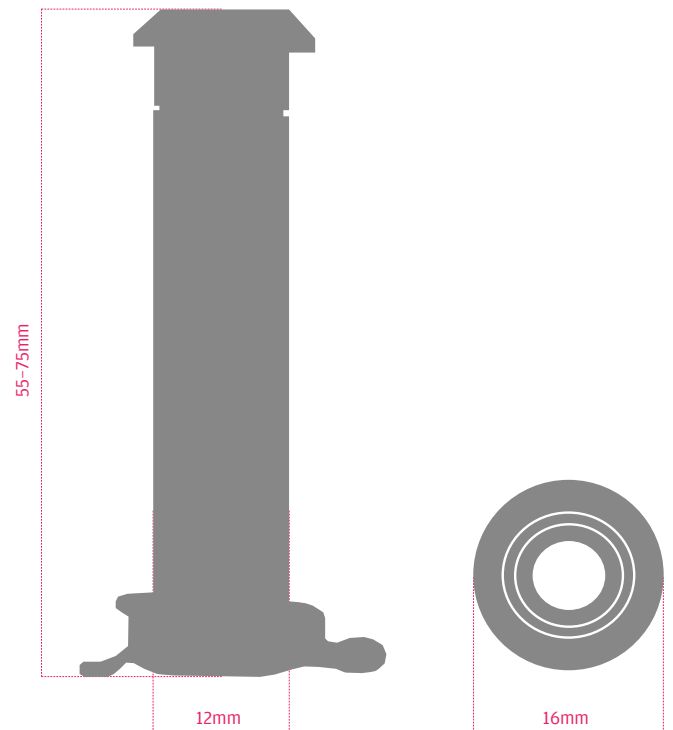
uPVC 20–35mm Door Viewers



Finishes	Product Code	Material Construction	Privacy Cover Included	PVD Head	Lens	Coating Guarantee
Polished Brass	CICBR	Brass	Yes	Yes	Plastic	5 Years
Polished Chrome	CICCH	Brass	Yes	Yes	Plastic	5 Years
White	CICWH	Brass	Yes	No	Plastic	5 Years
Black	CICBL	Brass	Yes	No	Plastic	5 Years
Gold Anodised	CICGA	Aluminium	No	No	Plastic	10 Years Colour Fast
Silver Anodised	CICSA	Aluminium	No	No	Plastic	10 Years Colour Fast

Sizes	
Barrel Thickness	12mm
Extension	20–35mm
View Head Size	16mm

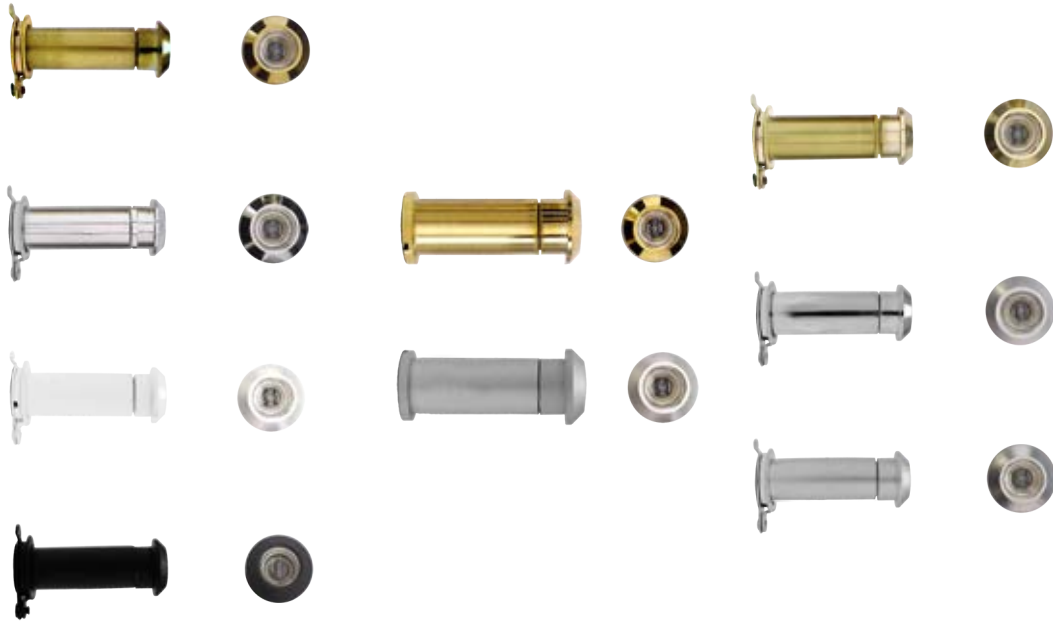
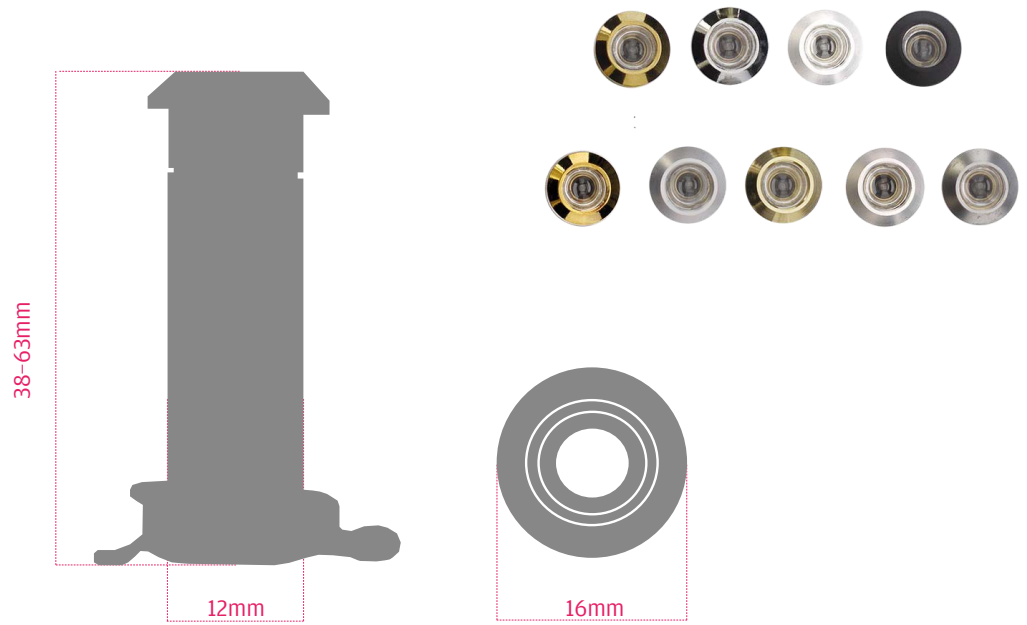
Signature 55-75mm Door Viewers



Finishes	Product Code	Material Construction	Privacy Cover Included	PVD Head	Lens	Coating Guarantee
Polished Brass	SDV125575BR	Brass	Yes	Yes	Plastic	5 Years
Polished Chrome	SDV125575CH	Brass	Yes	Yes	Plastic	5 Years
Black	SDV125575BL	Brass	Yes	No	Plastic	5 Years
White	SDV125575WH	Brass	Yes	No	Plastic	5 Years

Sizes	
Barrel Thickness	12mm
Extension	55–75mm
View Head Size	16mm

Standard 38-63mm Door Viewers

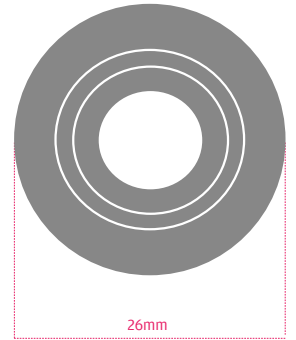
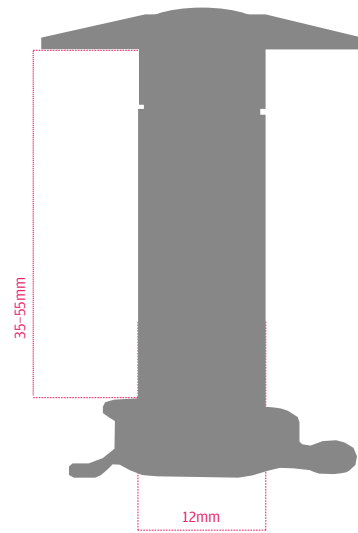


Finishes	Product Code	Material Construction	Privacy Cover Included	PVD Head	Lens	Coating Guarantee
Polished Brass	CILBR	Brass	Yes	Yes	Plastic	5 Years
Polished Chrome	CILCH	Brass	Yes	Yes	Plastic	5 Years
White	CILWH	Brass	Yes	No	Plastic	5 Years
Black	CILBL	Brass	Yes	No	Plastic	5 Years
Gold Anodised	CILGA	Aluminium	No	No	Plastic	10 Years Colour Fast
Silver Anodised	CILSA	Aluminium	No	No	Plastic	10 Years Colour Fast
PVD Gold	CILPVDG38-63-NANOCAST	Stainless Steel	Yes	No	Glass	Lifetime
Mirror Polished	CILMPSS38-63-NANOCAST	Stainless Steel	Yes	No	Glass	Lifetime
Satin Stainless	CILSSS38-63-NANOCAST	Stainless Steel	Yes	No	Glass	Lifetime

Sizes	
Barrel Thickness	12mm
Extension	38-63mm
View Head Size	16mm

Wide Angle Door Viewers

With 12mm barrels for openings 35–55mm

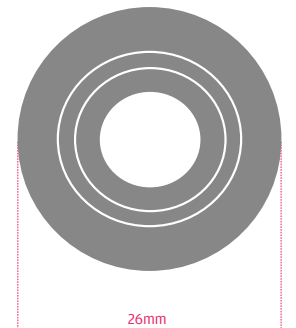
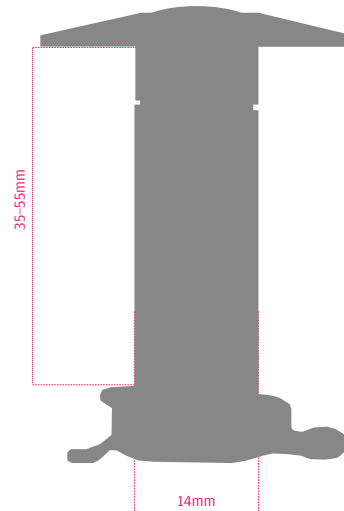


Finishes	Product Code	Material Construction	Privacy Cover Included	PVD Head	Lens	Coating Guarantee
Polished Brass	CVPLBR	Brass	Yes	Yes	Plastic	5 Years
Polished Chrome	CVPLCH	Brass	Yes	Yes	Plastic	5 Years
Black	CVPLBL	Brass	Yes	No	Plastic	5 Years
White	CVPLWH	Brass	Yes	No	Plastic	5 Years
Gold Anodised	CVPLGA	Aluminium	No	No	Plastic	10 Years Colour Fast
Silver Anodised	CVPLSA	Aluminium	No	No	Plastic	10 Years Colour Fast

Sizes	
Barrel Thickness	12mm
Extension	35–55mm
View Head Size	26mm

Wide Angle Door Viewers

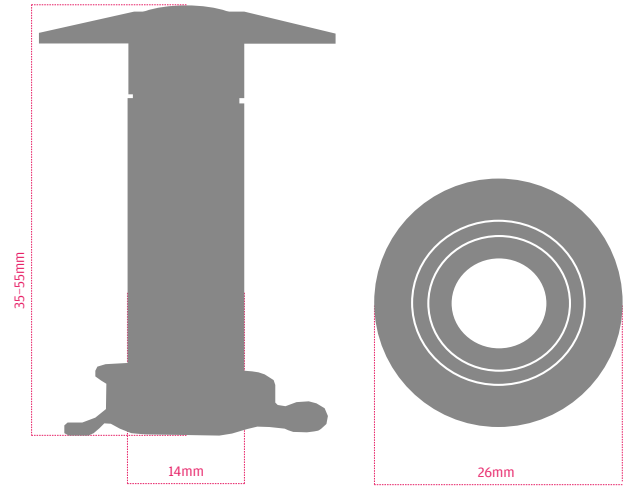
With 14mm barrels for openings 35–55mm



Finishes	Product Code	Material Construction	Privacy Cover Included	PVD Head	Lens	Coating Guarantee
Polished Brass	CVPLBR14	Brass	Yes	Yes	Plastic	5 Years
Polished Chrome	CVPLCH14	Brass	Yes	Yes	Plastic	5 Years

Sizes	
Barrel Thickness	14mm
Extension	35–55mm
View Head Size	26mm

Super Wide Angle Door Viewer
With 14mm barrels for openings 35–55mm

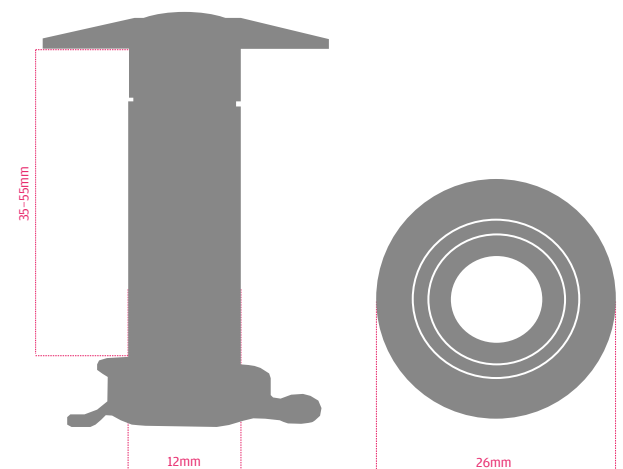


Finishes	Product Code	Material Construction	Privacy Cover Included	PVD Head	Lens	Coating Guarantee
Polished Brass	CVLP	Brass	Yes	Yes	Plastic	5 Years

Sizes	
Barrel Thickness	14mm
Extension	35–55mm
View Head Size	26mm



Marine Grade Door Viewer
With 12mm barrels for openings 35–55mm

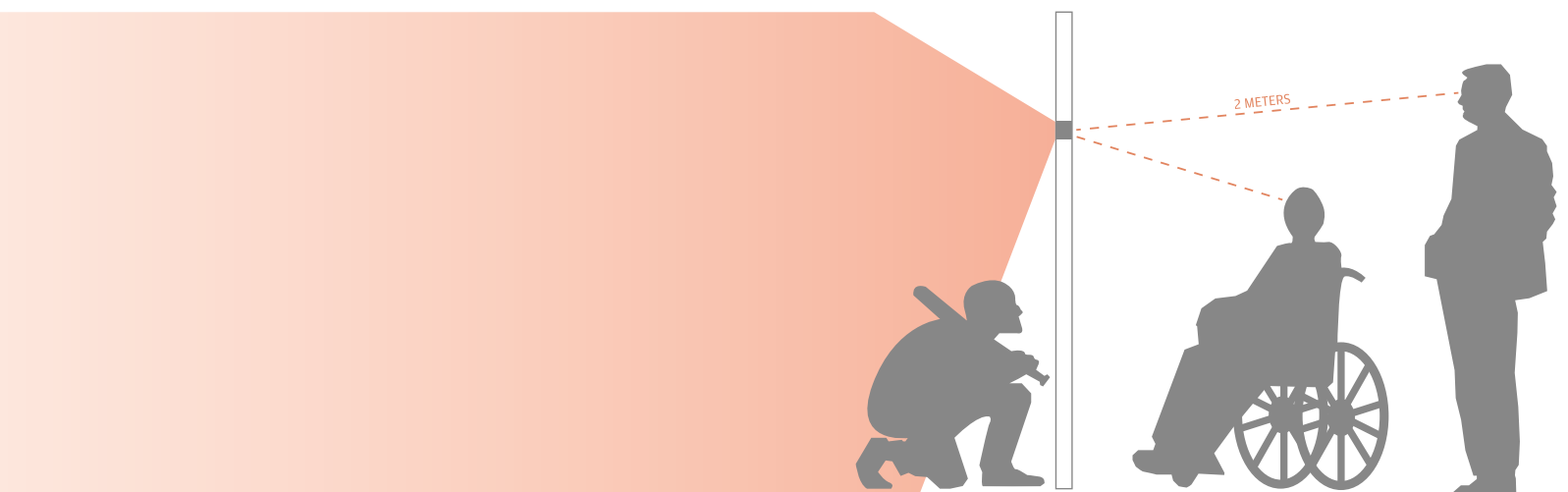
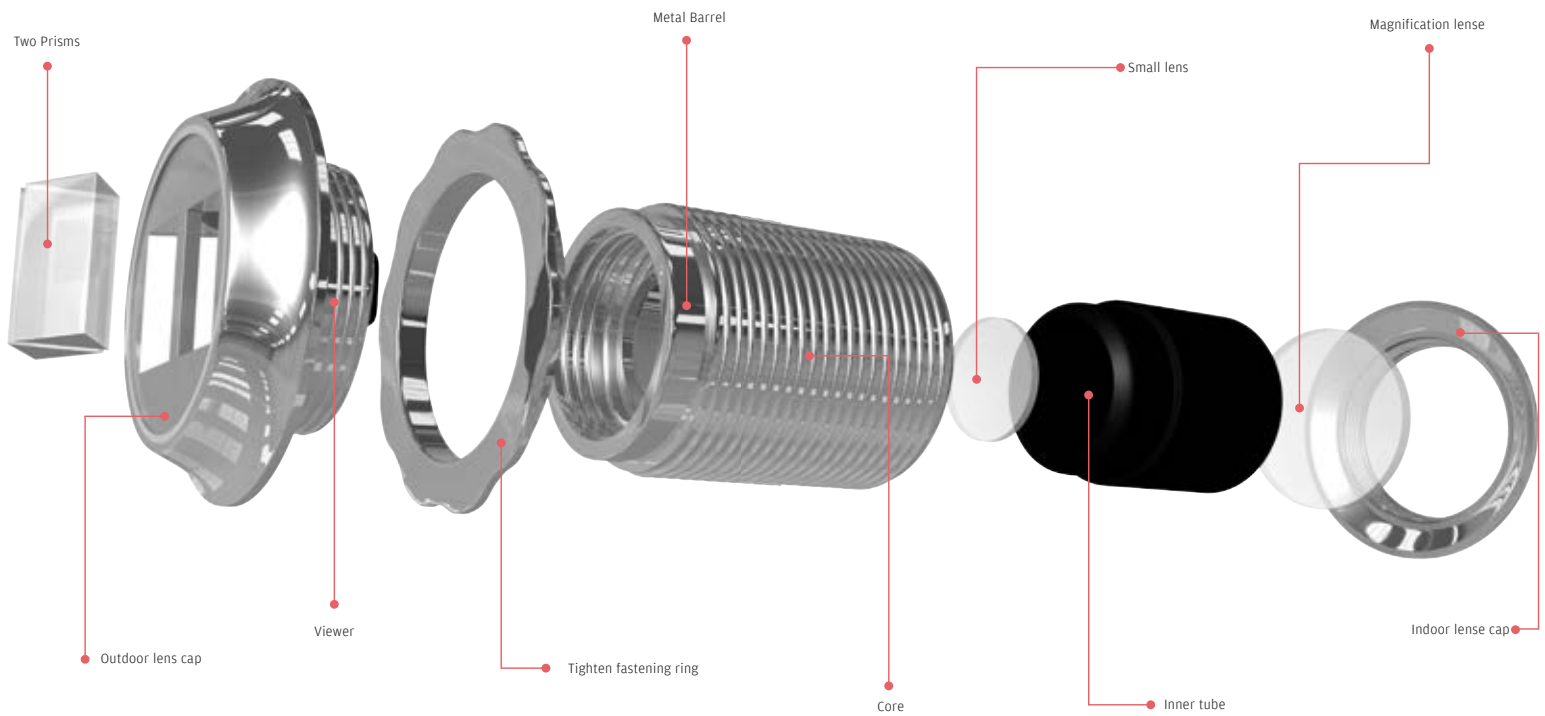


Finishes	Product Code	Material Construction	Privacy Cover Included	PVD Head	Lens	Coating Guarantee
PVD Gold	CVPLPVDG-NANOCOAST	Stainless Steel	Yes	Yes	Glass	Lifetime
Mirror Polished	CVPLMPSS-NANOCOAST	Stainless Steel	Yes	Yes	Glass	Lifetime
Satin Stainless	CVPLSSS-NANOCOAST	Stainless Steel	Yes	Yes	Glass	Lifetime

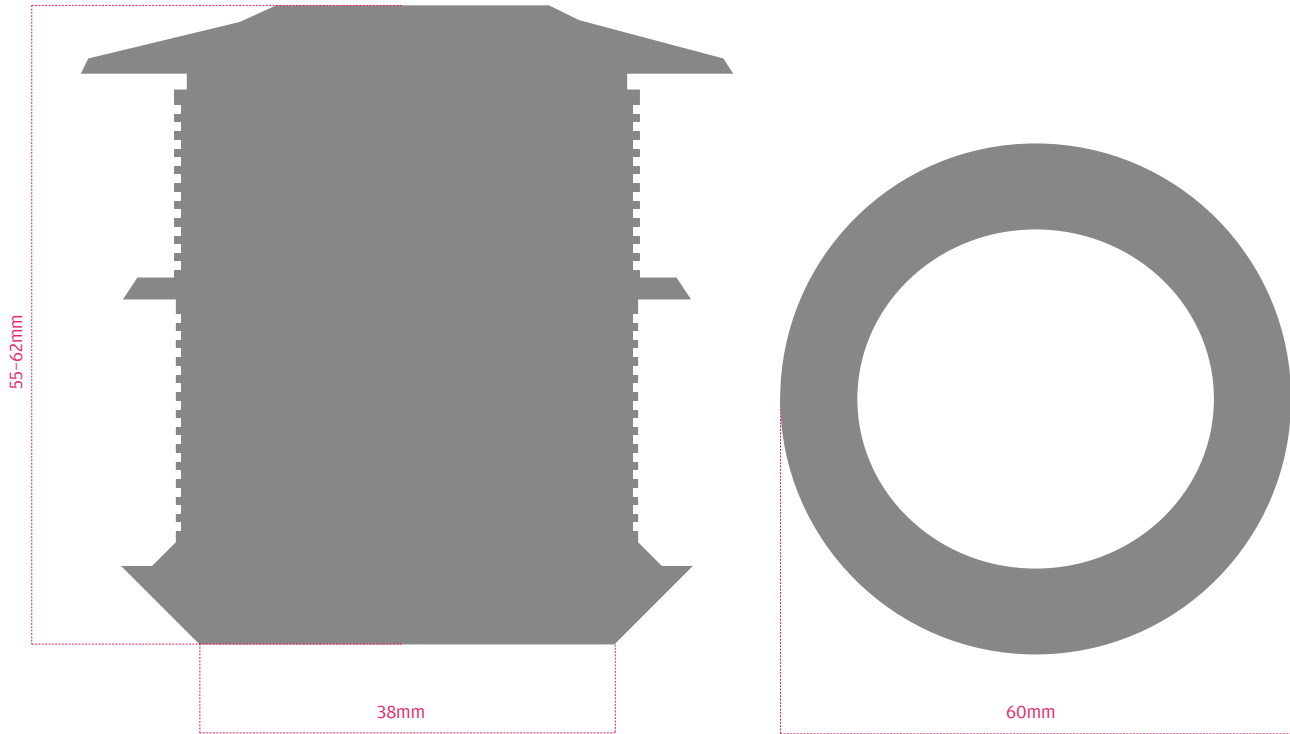
Sizes	
Barrel Thickness	12mm
Extension	35–55mm
View Head Size	26mm

Ultra Wide Angle Secure to View™ Door Viewers

Our ultra wide angle Secure to View™ door viewers provide a clear view for people with sight difficulties, the elderly and wheelchair users. Once installed, it is possible to see who is behind the door from up to 2 meters away.



Ultra Wide Angle Secure to View™ Door Viewers
 With 38mm barrels for openings 55–62mm



PVD Gold

PVD Chrome



Gold Plastic Frame

Silver Plastic Frame

Finishes	Product Code	Material Construction	Privacy Cover Included	PVD Head	Lens	Coating Guarantee
Gold Plastic Frame	STVG	Plastic	No	Yes	Plastic	5 Years
Silver Plastic Frame	STVS	Plastic	No	Yes	Plastic	5 Years
PVD Gold	STVSG	Metal	No	No	Plastic	5 Years
PVD Chrome	STVSC	Metal	No	No	Plastic	5 Years

Sizes	
Barrel Thickness	38mm
Extension	55–62mm
View Head Size	60mm

Door Viewer Extensions For barrels 12mm and 14mm



Finishes	Product Code	Material Construction	Extension Size	Barrel Width
Polished Brass	AL1210BR	Brass	10mm	12mm
Polished Brass	AL1220BR	Brass	20mm	12mm
Polished Brass	AL1420BR	Brass	20mm	14mm
Polished Chrome	160DVEXTCH	Brass	55mm	12mm
Polished Brass	160DVEXT	Brass	55mm	12mm



Salamander Firecheck Viewers With 12mm barrels for openings 35–55mm



Polished Brass

Polished Chrome

Finishes	Product Code	Material Construction	Privacy Cover Included	PVD Head	Lens	Coating Guarantee
Polished Brass	SWALFBR-FR	Brass	Yes	Yes	Plastic	5 Years
Polished Chrome	SWALFCH-FR	Brass	Yes	Yes	Plastic	5 Years
Satin Chrome	SWALFSC-FR	Brass	Yes	Yes	Plastic	5 Years

Sizes	
Barrel Thickness	14mm
Extension	35–55mm
View Head Size	26mm

Salamander Firecheck Viewers With 38mm barrels for openings 55–62mm



Gold Plastic Frame

Silver Plastic Frame

Finishes	Product Code	Material Construction	Privacy Cover Included	PVD Head	Lens	Coating Guarantee
Gold	STVG-FR	Plastic	No	No	Plastic	5 Years
Silver	STVS-FR	Plastic	No	No	Plastic	5 Years

Sizes	
Barrel Thickness	38mm
Extension	55–62mm
View Head Size	60mm



INNOVATIVE DOOR HARDWARE SOLUTIONS

Unit 1 Albert Close Trading Estate
Whitefield, Manchester
M45 8EH
England, UK

uapcorporate.com
sales@uapcorporate.com

0161 796 7268