

Black Iron Hardware

The traditional black iron front door hardware from UAP has a classic design as it is the perfect addition for any cottage and period properties, as well as large wooden doors and rustic interiors. Made from solid cast iron, the black iron front door hardware is durable and has superior strength. It is black powder coated to give a high quality finish.

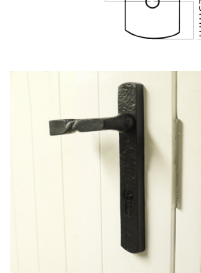
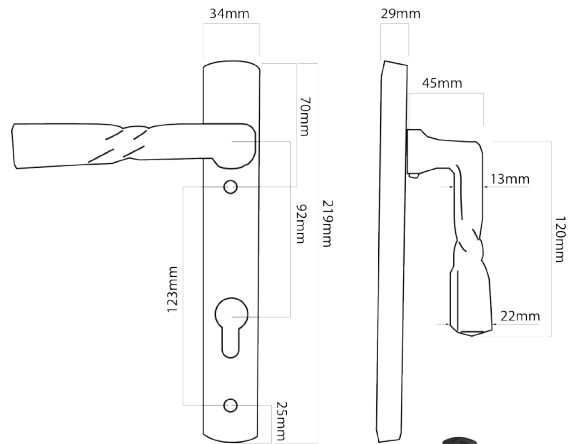
The UAP black iron door hardware range is available in a number of different products including black iron front door handles, black iron letterplates and black iron door chains.

The black iron door handle has a spring cassette, which assists with the lever. It also has a unique feature of having a stainless steel fixing screw which attaches to the spindle. This helps to gain a solid fix. Also stainless steel washer fixings help with durability.



Product	Code
Black Iron Door Chain	DRCHBLK-IRON

Product	Code
0-9 Numbers	O-9BLK-4-IRON
A-C Letters	A-CBLK-4-IRON



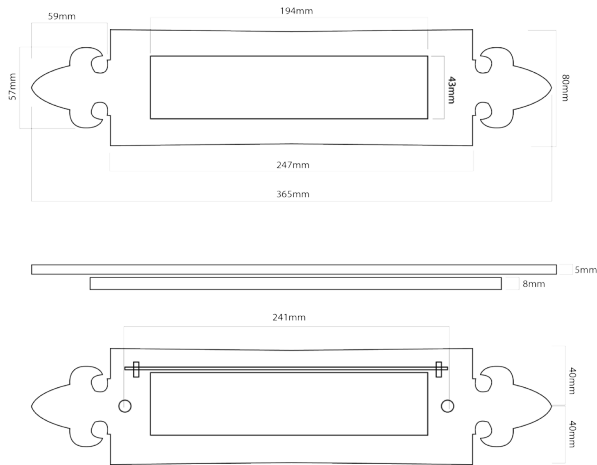
Product	Code
Lion's Head	LH6BLK-IRON
Lion's Head 2 Piece	LHBLK-2PIECE-IRON

Product	Code
Round Door Knocker	ROUNDKNOCKERBLK-IRON
6" Victorian Urn	V6BLK-IRON

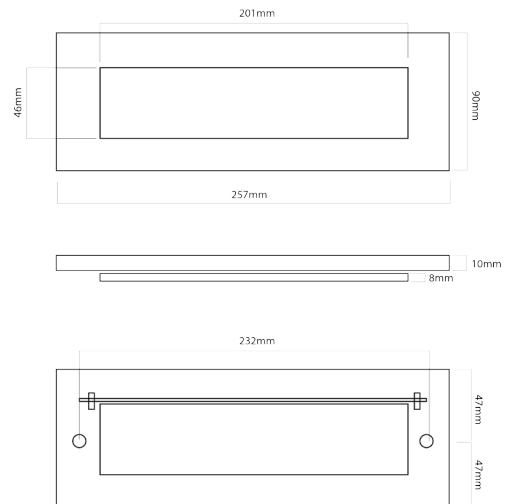
Product	Code
219 Door Handle	DRHANDBLK-IRON
243 Door Handle	DRHANDBLK-243-IRON



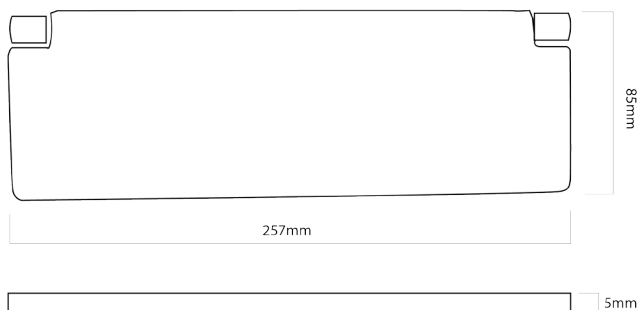
The black iron letterplates are a practical solution for entrance doors in residential and commercial properties. They have a 180 degree opening, so will not snapped off if opened too far - the problem with all 90 degree opening letterplates. They can also be fitted with the black iron letterplate tidy plain, which makes the inside of the door look very neat.



Product	Code
Black Iron Fleur de Lyds Letterplate	LPFDLBLK-IRON



Product	Code
Black Iron Plain Letterplate	LPPLAINBLK-IRON



Product	Code
Black Iron Internal Letterplate	INTTIDYBLK-IRON