

MAX6MUM
SECURITY

2 Star High Security Door Handle

Features

- Integrated cylinder guard to resist drilling attacks
- Self-adhesive backing tabs to add to the attack resistance and to assist easy fitting
- Self-adhesive backing tabs aid water penetration resistance
- Protects against cylinder and handle snapping
- Secured by Design approved
- TS007: 2014+A1:2015
- Ergonomic Design
- 10 year colour fastness guarantee for Anodised Coating
- Life time coastal guarantee for Nanocoast finishes tested to ASTM B117 for 2,000 hours

Reach TS007: 2014+A1:2015 3 Standards
when you combine with the
UAP Zero Lift 1* Cylinder*

UAP+ZEROLIFT



www.uapcorporate.com

Tel: +44 (0)161 796 7268

Fax: +44 (0)161 796 7410

MAX6MUM SECURITYfi is a Registered
Trademark of UAP Limited.

Available in



POWERED BY
UAP
LIMITED

Secured by Design



Police Preferred Specification



ANTI-PICK



ANTI-DRILL



ANTI-BUMP

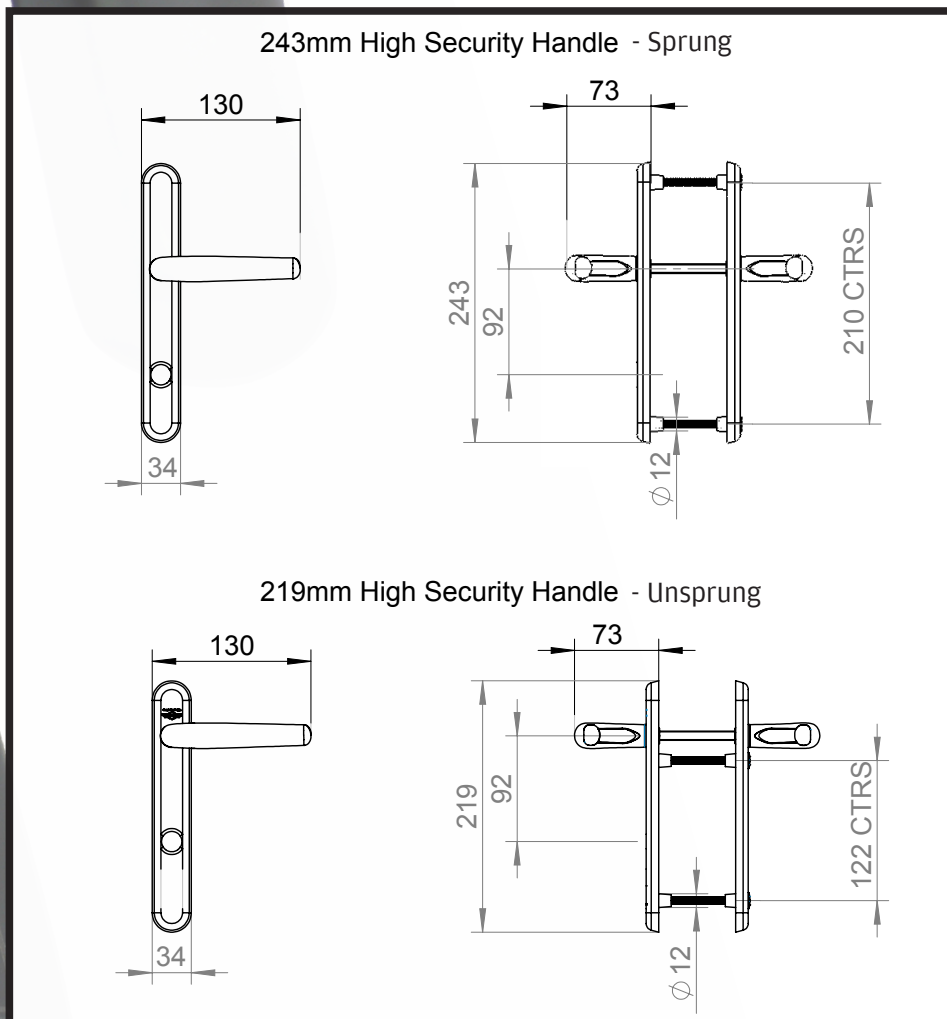


ANTI-SNAP



KM 561977

Testing Standards	ASTM B117 for 2,000 hours (Nanocoast) TS007: 2014+A1:2015	
Materials	Nanocoast	Back plate/grip - Stainless Steel
	Standard	Backplate/grip - Aerospace grade Aluminium
	Screws	High Tensile Steel
Finishes	Anodised	Silver, Gold
	Coated	Black, White
	Nanocoast	Mirror Polished Stainless Steel PVD Gold Satin Stainless Steel
Dimensions	Backplate height	219mm 243mm



www.uapcorporate.com

Tel: +44 (0)161 796 7268
Fax: +44 (0)161 796 7410

MAX6MUM SECURITY is a Registered
Trademark of UAP Limited.